

NOTES:

ITEM 605-6" (150mm) SHALLOW (BASE) PIPE UNDERDRAINS WITH GEOTEXTILE FABRIC, AS PER PLAN

605.02 MATERIALS. PIPE MATERIAL SHALL BE LIMITED TO THE PERFORATED PIPE LISTED OR OTHERWISE APPROVED AND SPECIFIED IN THE PLANS/PROPOSAL. SEE THE PLAN NOTE FOR A LIST OF PERMISSIBLE PIPE MATERIALS FOR BOTH SIX (6) INCH (150mm) AND FOUR (4) INCH (100mm) UNDERDRAIN.

GEOTEXTILE FABRIC SHALL BE LIMITED TO NONWOVEN OR MONOFILAMENT WOVEN GEOTEXTILE FABRICS MEETING THE REQUIREMENTS OF AASHTO M 288, TABLE 1 (CLASS 3) AND TABLE 2.

605.03 PIPE UNDERDRAINS CONSTRUCTION.

(B) **LAYING UNDERDRAIN.** WHEN 706.06 OR 706.08 PERFORATED BELL & SPIGOT PIPE IS SPECIFIED, THE CONTRACTOR SHALL FINISH AND INSTALL THREE (3) LUGS IN THE BELL END OF EACH ADJOINING SECTION OF PIPE TO CENTER AND ALIGN THE PIPE SECTIONS AND PROVIDE A THREE-EIGHTH (3/8) INCH (10mm) GAP BETWEEN PIPE LENGTHS.

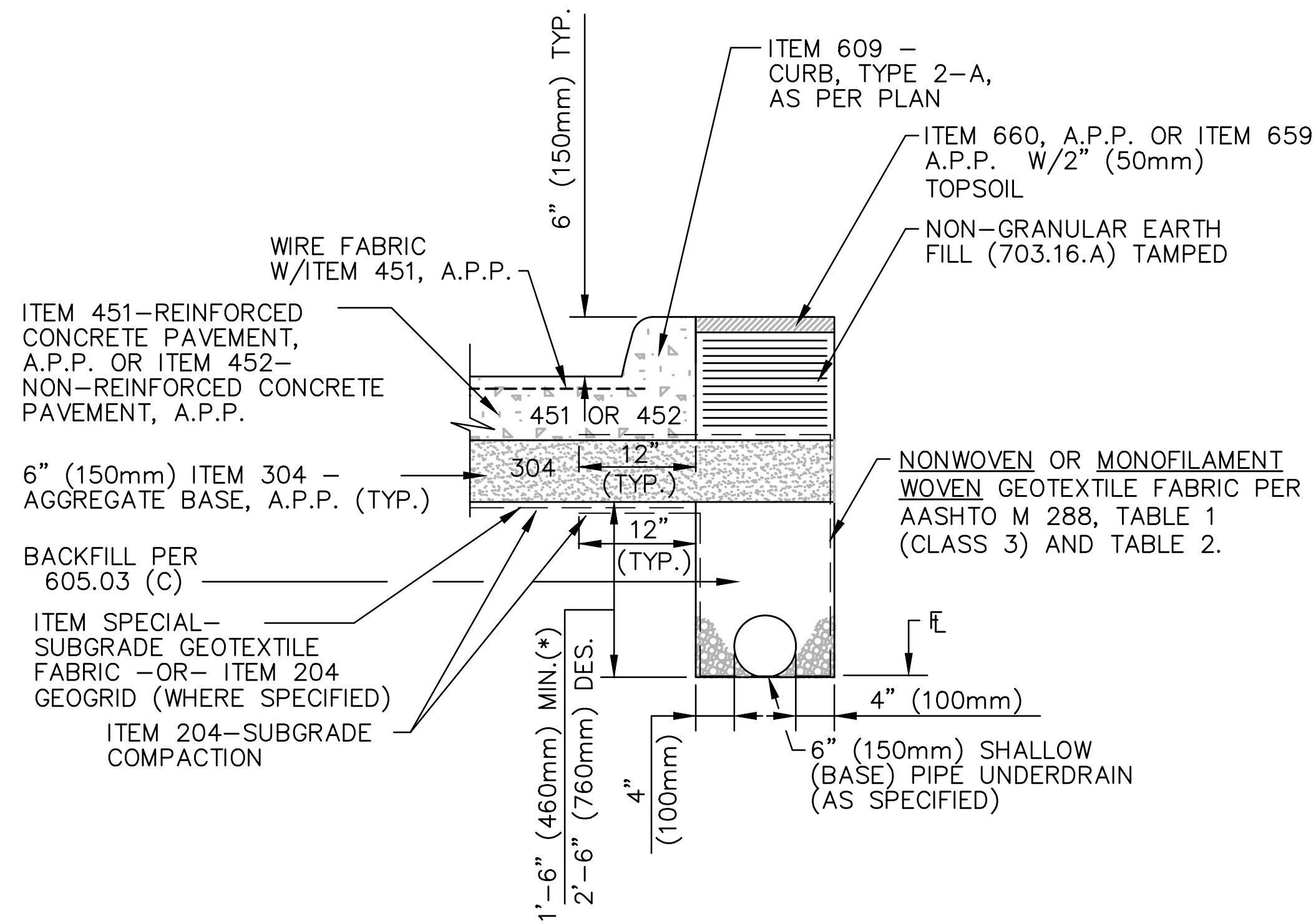
(C) **BACKFILLING.** THE GRANULAR FILTER BACKFILL MATERIAL SHALL BE LIMITED TO LIMESTONE.

(* **FOR UNDERDRAIN DEPTHS OF EIGHTEEN (18) INCH (460mm) OR LESS, SPECIFY "BASE" PIPE UNDERDRAINS.** EXCEPT FOR THEIR RESPECTIVE DEPTHS AND/OR SIZE, THESE DETAILS ALSO APPLY TO "UNCLASSIFIED" OR "DEEP" PIPE UNDERDRAINS, AND/OR TO FOUR (4) INCH (100mm) DIAMETER PIPE UNDERDRAINS.

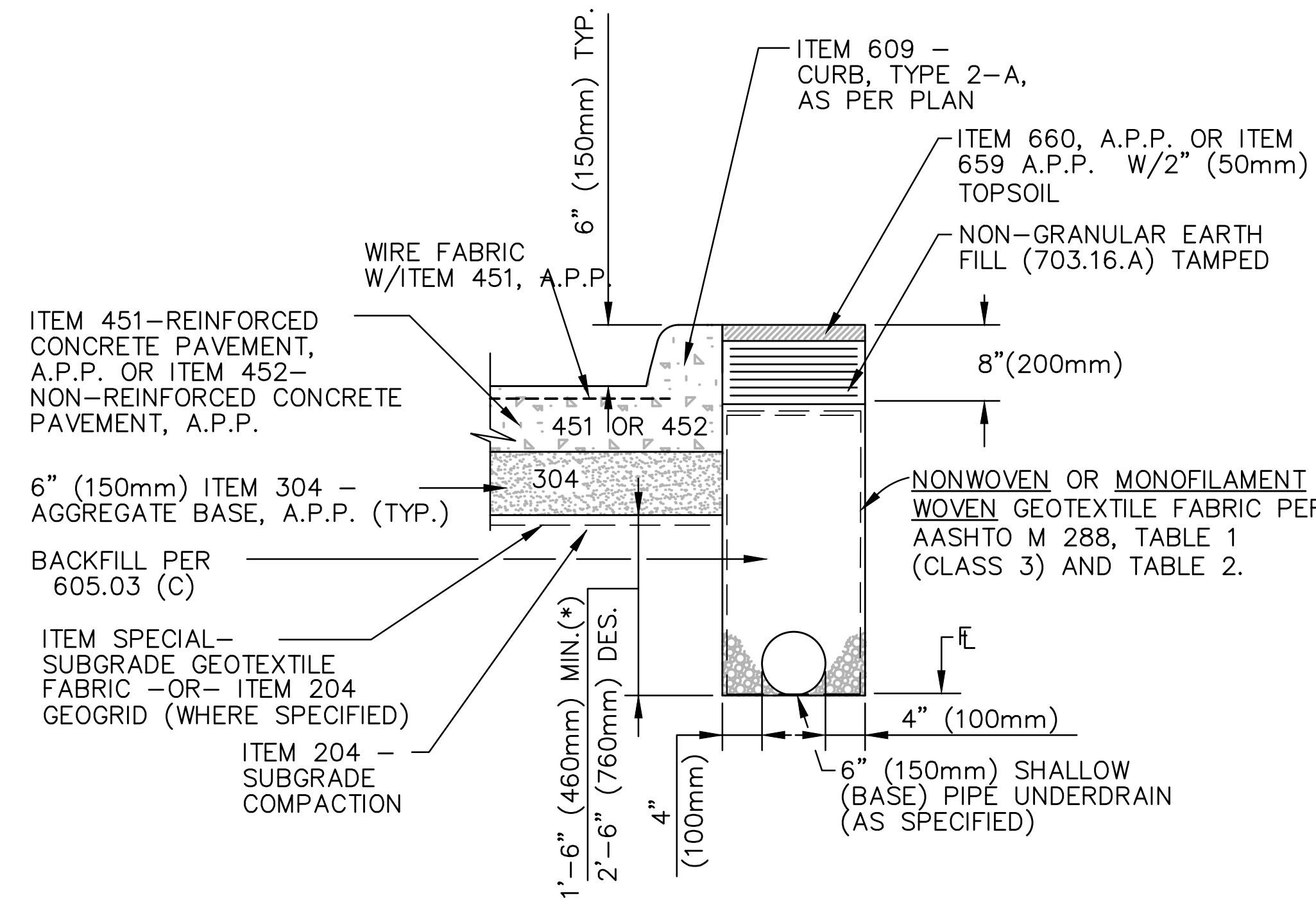
ITEM 609-CURBING, AS PER PLAN

SPECIFY TYPE 2-B CURB FOR INTEGRAL CONCRETE PAVEMENTS WITH ASPHALT OVERLAYS. FOR NON-INTEGRAL CONCRETE CURB (TYPE 6) INSTALLED WITH RIGID AND/OR FLEXIBLE PAVEMENT, MODIFY THE CURB HEIGHT SO THAT THE BOTTOM OF CURB MATCHES THE BOTTOM OF THE PROPOSED RIGID AND/OR FLEXIBLE PAVEMENT MATERIAL(S) AND INSTALL UNDERDRAIN PER THE PREFERRED PRE-PAVE METHOD, ALL AS DETAILED ON THE PLANS.

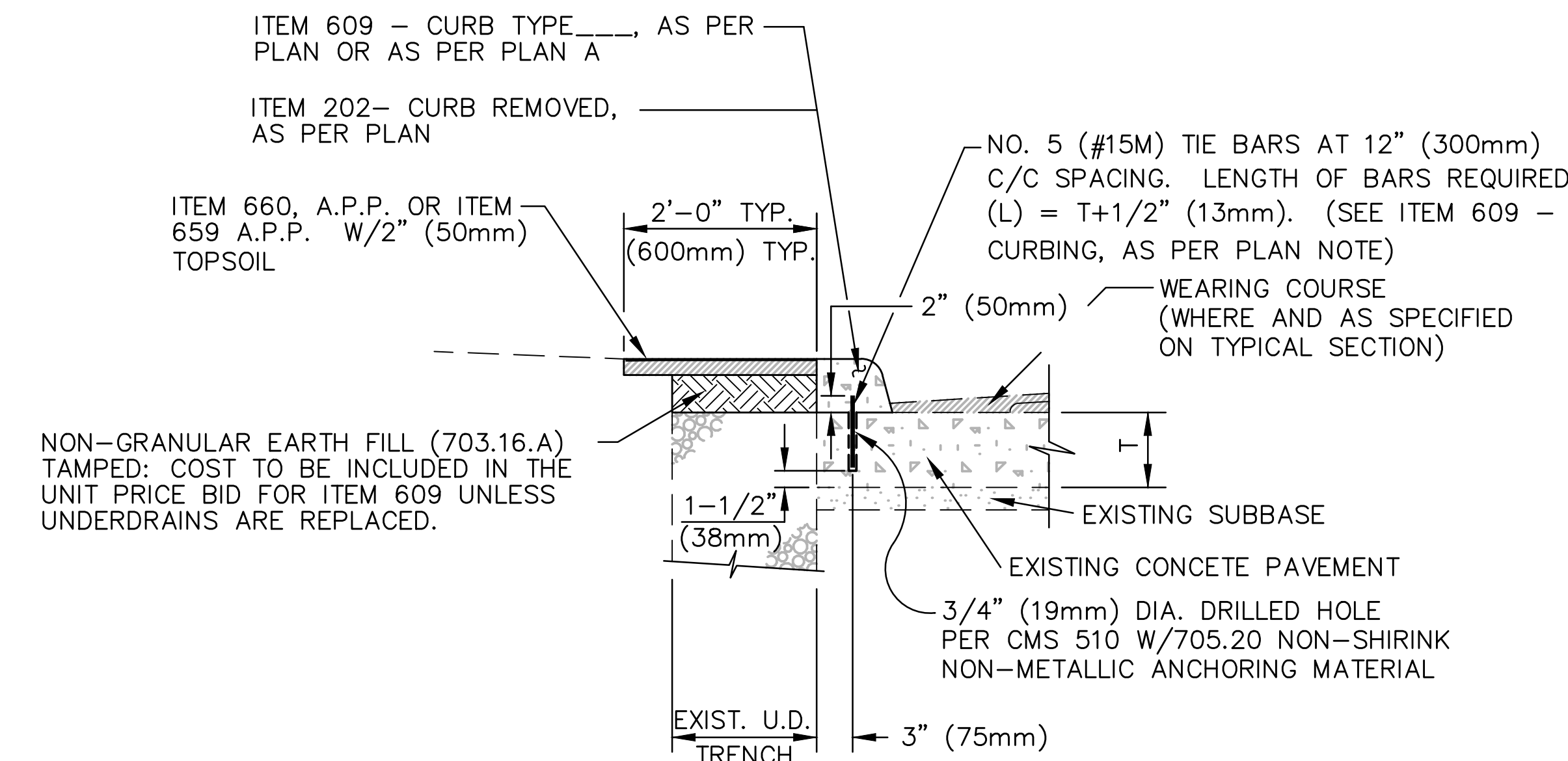
THIS DRAWING IS USED IN CONJUNCTION WITH O.D.O.T. S.C.D. BP-5.1 AND THE CUYAHOGA COUNTY ENGINEER'S CONSTRUCTION DRAWING BP-2.5C.



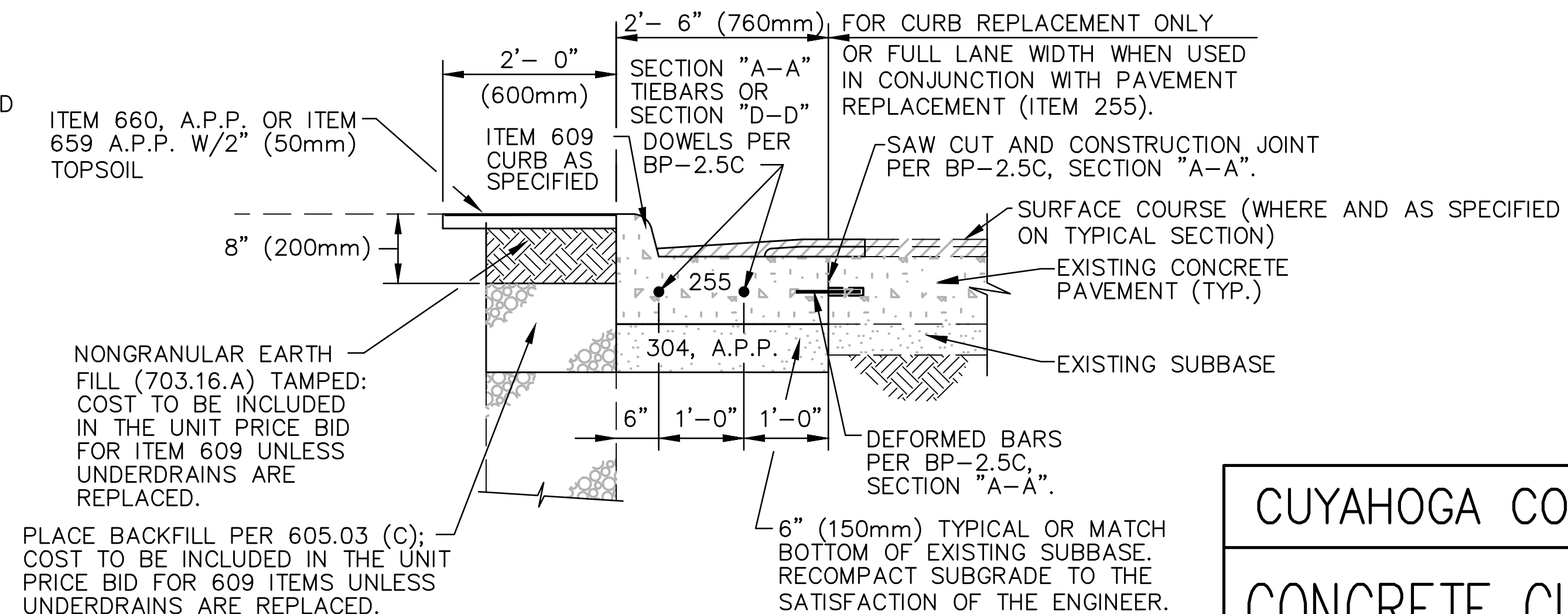
ITEM 605-6" (150mm) SHALLOW (BASE) PIPE UNDERDRAINS WITH GEOTEXTILE FABRIC, AS PER PLAN
ITEM 609-CURB, TYPE 2-A, AS PER PLAN
 (PRE-PAVE UNDERDRAIN INSTALLATION-TYPICAL/PREFERRED)



ITEM 605-6" (150mm) SHALLOW (BASE) PIPE UNDERDRAINS WITH GEOTEXTILE FABRIC, AS PER PLAN
ITEM 609-CURB, TYPE 2-A, AS PER PLAN
 (POST-PAVE UNDERDRAIN INSTALLATION-ACCEPTABLE WHEN/IF APPROVED)



INTEGRAL CONCRETE CURB REPLACEMENT DETAIL
METHOD "A"



INTEGRAL CONCRETE CURB REPLACEMENT DETAIL
METHOD "B"
 (SEE BP-2.5C)

CUYAHOGA COUNTY ENGINEER	
CONCRETE CURB AND UNDERDRAIN DETAILS	DATE
	10-29-01 02-10-03 06-11-03 08-08-05 08-28-07 10-10-08 07-07-09 05-31-10 11-10-16 11-15-17 12-02-19
CONSTRUCTION DRAWING	MD-1C

