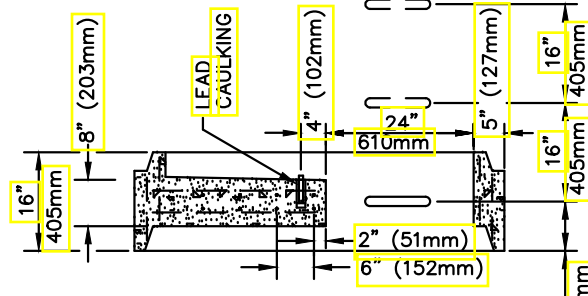


SECTION "A-A"

2-1/4" (57mm) DIA. STEEL PLATE  
3/4" (19mm) THICK WELDED TO  
BOTH ENDS OF 1-1/2" (38mm)  
DIA. STEEL BAR WITH TWO PASSES  
OF 1/4" (6mm) FILLET WELD.



SECTION "B-B"

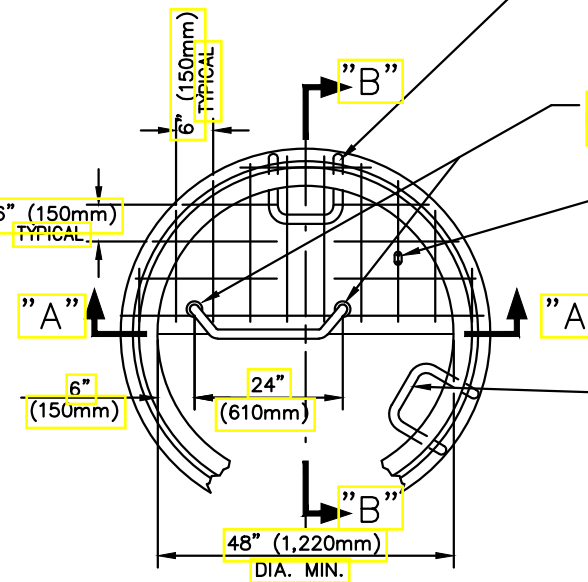
NOTE:  
LANDING PLATFORMS AS SHOWN  
ON THE LANDING DETAILS SHALL  
BE INSTALLED IN MANHOLES THAT  
ARE OVER TWENTY-EIGHT (28) FEET  
(8.5m) DEEP TO THE INVERT WITH  
A MAXIMUM VERTICAL SPACING OF  
TWENTY (20) FEET (6m).

MANHOLE STEPS START 12" (300mm)  
TO 16" (400mm) ABOVE LANDING  
PLATFORM FLOOR AND CONTINUE  
VERTICALLY ABOVE TO THE NEXT  
LANDING PLATFORM OR TOP OUTLET.

TWO 2-1/2" (64mm) DIA. PRECAST  
OPENINGS 5" (127mm) DEEP.

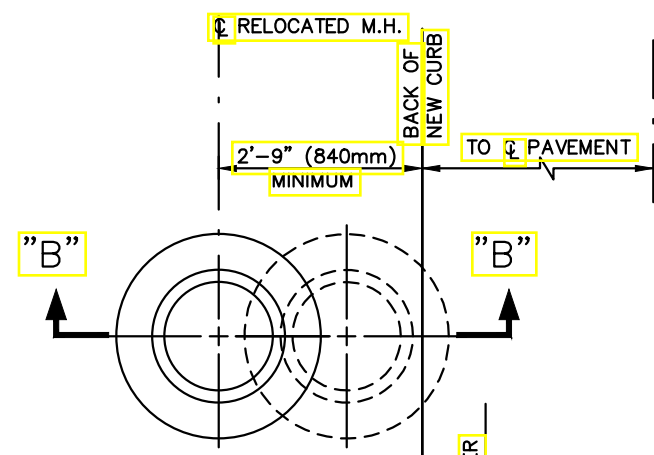
TYPICAL BAR PLACEMENT IN LANDING  
RISER-#4 (13mm DIA.) REBAR.  
IF MULTIPLE LANDINGS ARE RE-  
QUIRED, ROTATE ADJACENT  
LANDINGS 90 DEGREES.  
A 90 DEGREE CLEAR OPENING  
MUST BE SEEN FROM TOP TO  
BOTTOM OF MANHOLE.

MANHOLE STEPS STOP 4'-0"  
(1.2m) ABOVE TOP OF  
LANDING PLATFORM.

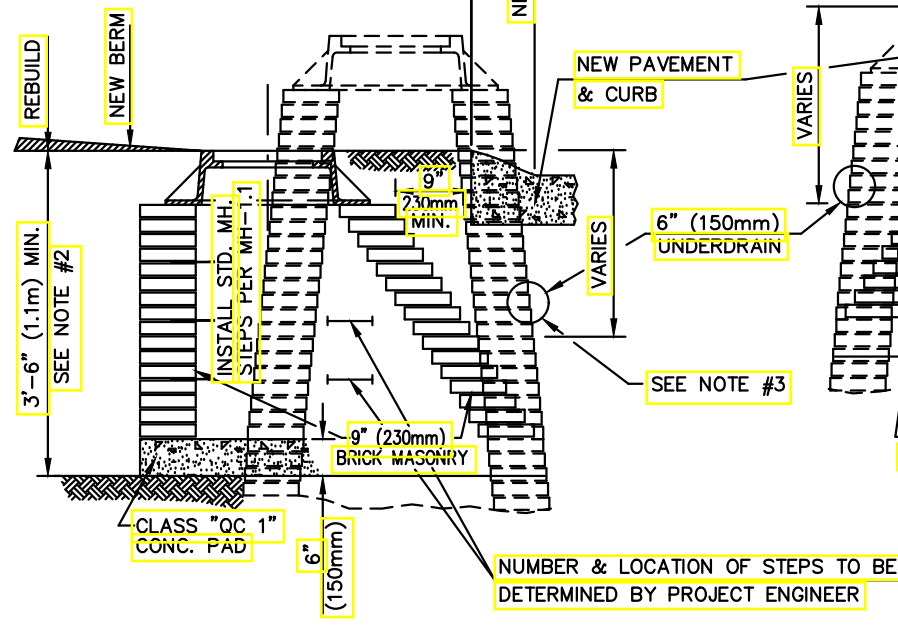


PLAN VIEW

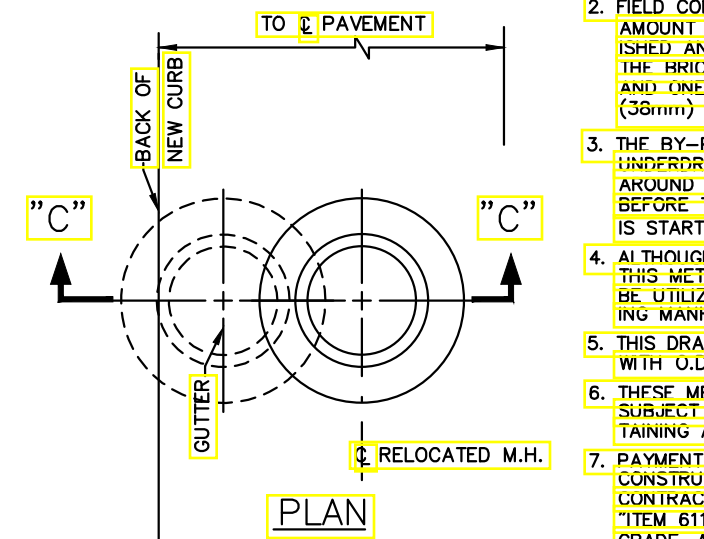
16" (405mm) LANDING RISER  
DETAIL FOR PRECAST MANHOLE



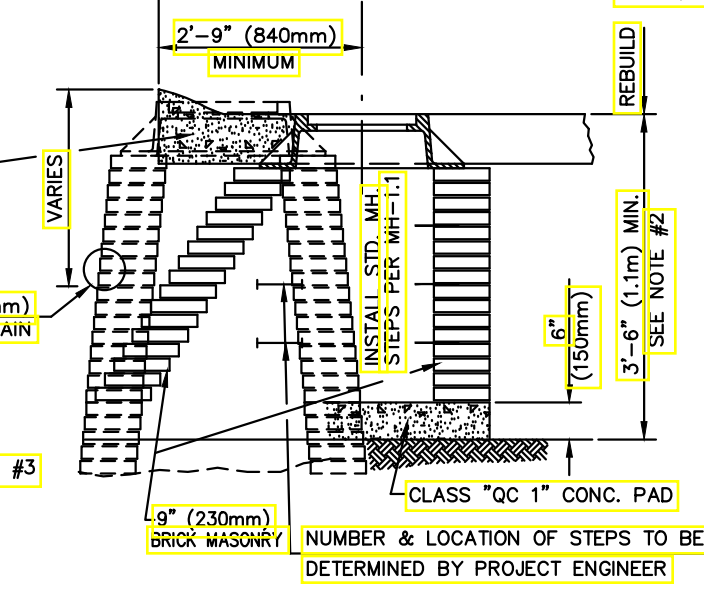
PLAN



SECTION "B-B"  
METHOD-1  
IN BERM



PLAN



SECTION "C-C"  
METHOD-2  
IN PAVEMENT

- NOTES:
1. THE ENGINEER SHALL INVESTIGATE THE FIELD CONDITIONS GOVERNING THE EXISTING MANHOLE WITH RESPECT TO THE NEW LINE AND ELEVATION OF PAVEMENT AND CURB.
  2. FIELD CONDITIONS WILL GOVERN THE AMOUNT OF STRUCTURE TO BE DEMOLISHED AND REBUILT. CORBELLING OF THE BRICK SHALL NOT EXCEED ONE AND ONE-HALF (1-1/2) INCHES (38mm) FOR EACH COURSE.
  3. THE BY-PASSING SIX (6) INCH (150mm) UNDERDRAINS SHALL BE BUILT IN PLACE AROUND THE REBUILT (CORBELLED) WALL BEFORE THE CONSTRUCTION OF PAVEMENT IS STARTED.
  4. ALTHOUGH SHOWN AS EXISTING BRICK, THIS METHOD OF RECONSTRUCTION MAY BE UTILIZED FOR ALL TYPES OF EXISTING MANHOLE WALLS.
  5. THIS DRAWING IS USED IN CONJUNCTION WITH U.D.O.I. S.C.D. MH-1.1.
  6. THESE METHODS OF RECONSTRUCTION ARE SUBJECT TO THE APPROVAL OF THE MAINTAINING AGENCY.
  7. PAYMENT FOR THESE METHODS OF RECONSTRUCTION SHALL BE MADE AT THE CONTRACT UNIT PRICE BID PER EACH FOR "ITEM 611-MANHOLE RECONSTRUCTED TO GRADE, AS PER PLAN".

RECONSTRUCTION OF EXISTING  
MANHOLE WHICH OBSTRUCTS  
NEW CURB LOCATION

CUYAHOGA COUNTY ENGINEER

MISCELLANEOUS  
DRAINAGE DETAILS

DATE  
05-05-97  
12-07-99  
10-29-01  
10-31-13

CONSTRUCTION  
DRAWING MD-2C