

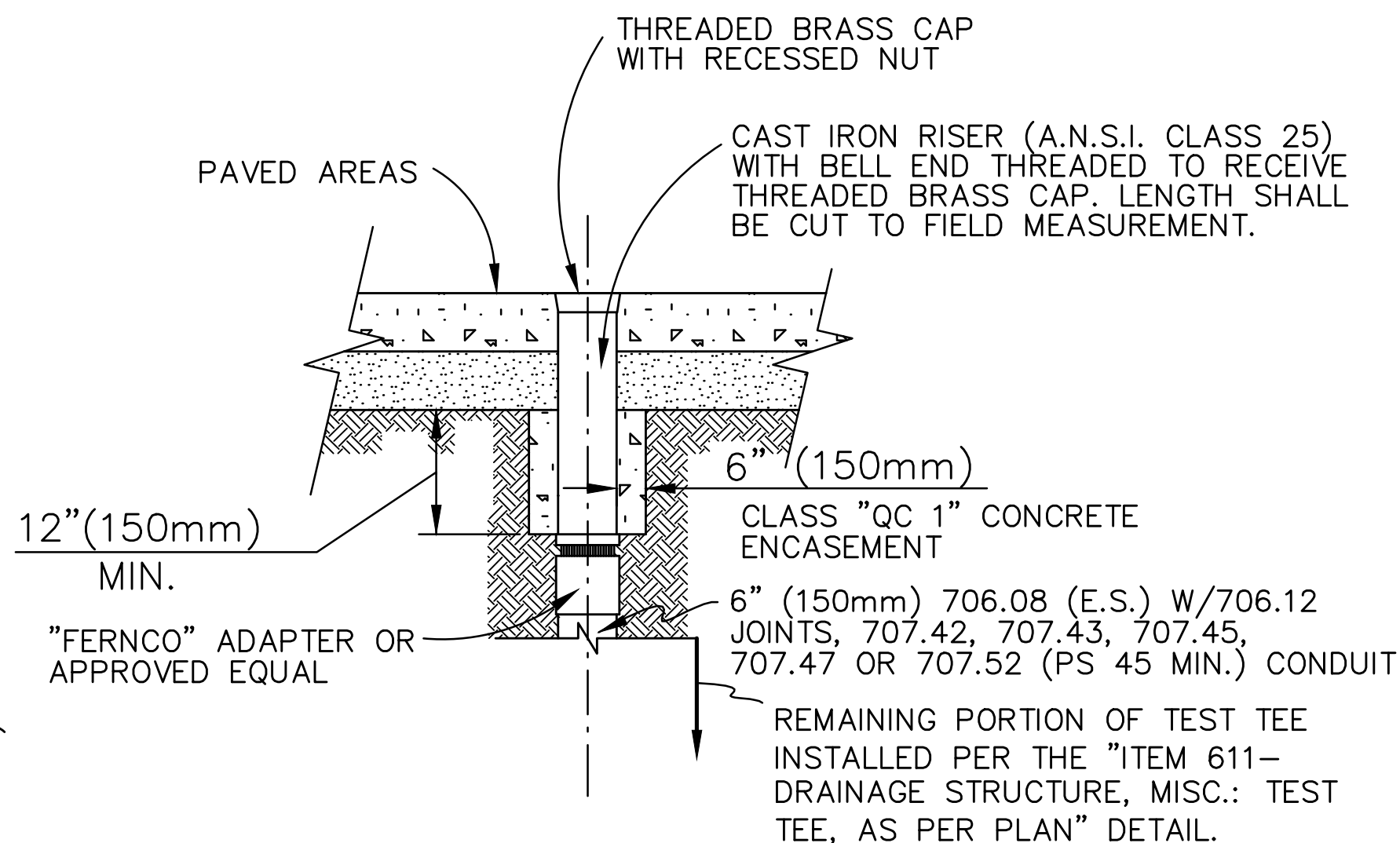
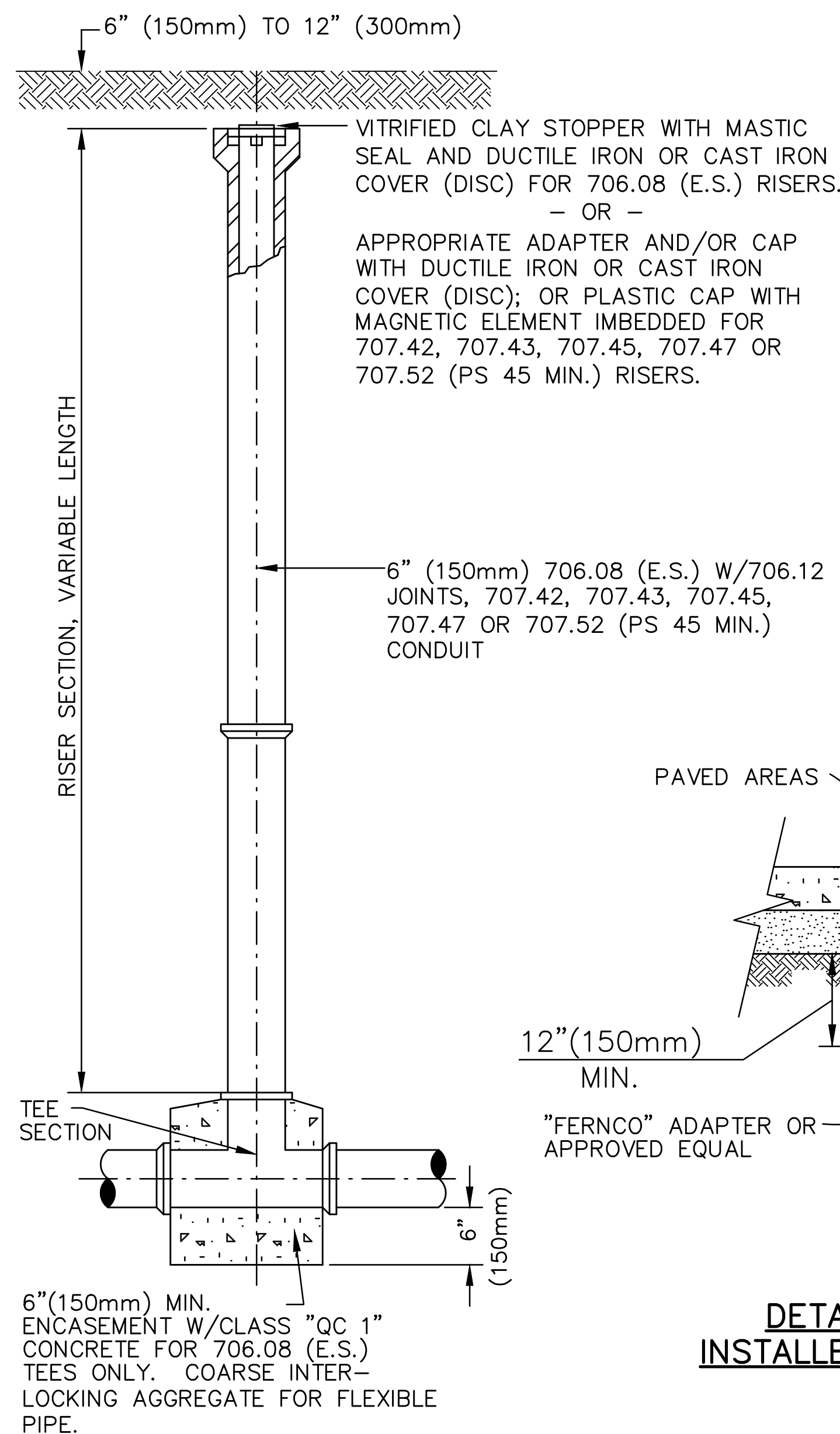
**NOTES:**

DUCTILE IRON OR CAST IRON COVERS (DISCS) SHALL CONFORM TO ITEM 611 AND BE PAINTED YELLOW ON SANITARY SEWER LATERALS. NEENAH NO. R-4055-6, EAST JORDAN NO. 6306A OR APPROVED EQUAL CASTINGS (WITHOUT LIFT HOLES FOR SANITARY CONNECTIONS) ARE ACCEPTABLE, PROVIDED THEY COMPLY WITH THE SPECIFICATIONS, DIMENSIONS AND EIGHT (8) POUND (3.6kg) MINIMUM WEIGHT.

THE CONTRACTOR SHALL RECORD THE LOCATION OF RISER (BY STATION AND OFFSET) IN A SUITABLE FIELDBOOK. THE FIELDBOOK SHALL BE GIVEN TO THE PROJECT ENGINEER UPON COMPLETION OF THE WORK.

TEST TEES ARE TYPICALLY LOCATED ONE (1) FOOT (0.3m) TO TWO (2) FEET (0.6m) BEHIND THE STREET RIGHT-OF-WAY LINE.

WHERE IT BECOMES NECESSARY TO PLACE OR REPLACE TEST TEES WITHIN PAVED AREAS (LOCATE OR RELOCATE OUTSIDE PAVED AREAS WHERE POSSIBLE) THEY SHALL BE SET TO FINISHED PAVED SURFACE GRADE PER DETAIL "A" UTILIZING THE SPECIAL FITTINGS, ADAPTERS AND CAPS SHOWN THEREON OR AS OTHERWISE APPROVED BY THE ENGINEER.

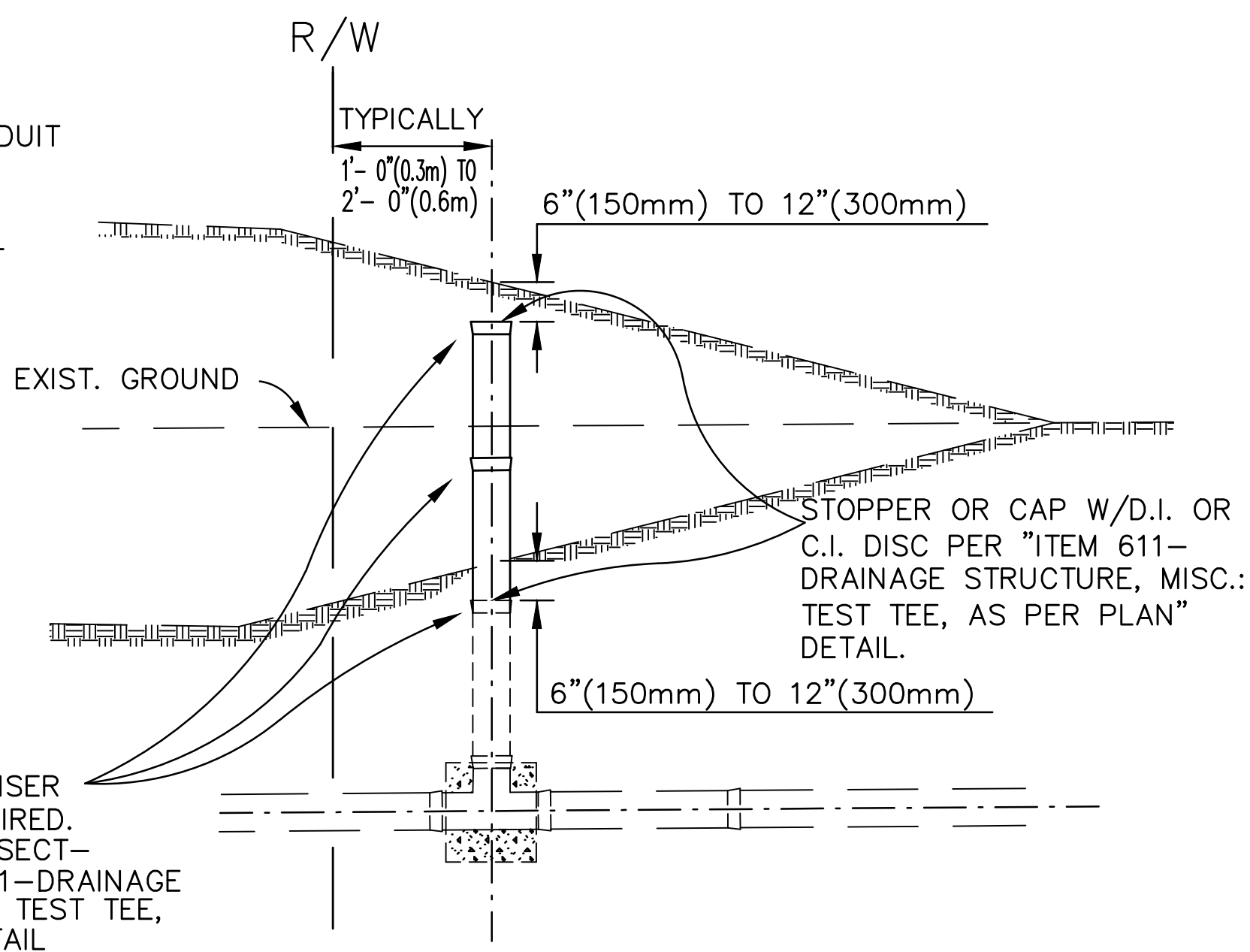
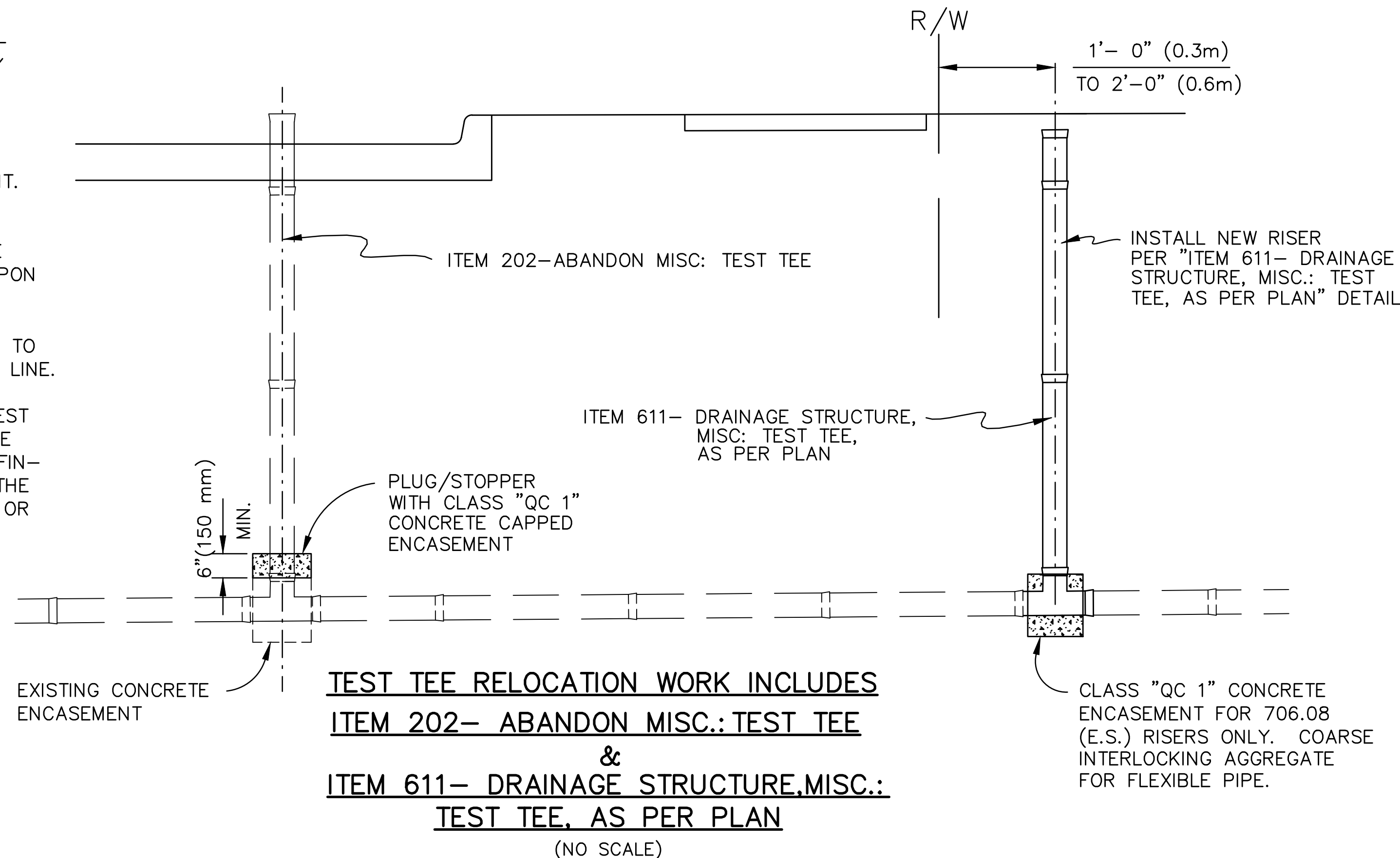


**DETAIL "A" TEST TEE  
INSTALLED IN PAVED AREAS**  
(NO SCALE)

DO NOT ENCASE 707.42, 707.43, 707.45, 707.47 OR 707.52 (PS 45 MIN.)

**ITEM 611-DRAINAGE STRUCTURE,  
MISC.: TEST TEE, AS PER PLAN**

6"(150mm) X 6"(150mm) TEST TEE & 6"(150mm) RISER FOR LATERAL CONNECTIONS TO STORM SEWERS, SANITARY SEWERS AND TREATED SEPTIC FLOW OUTLETED DIRECTLY INTO STORM SEWERS  
(NO SCALE)



**ITEM 611 - DRAINAGE STRUCTURE, MISC.:  
TEST TEE ADJUSTED OR RECONSTRUCTED TO GRADE**  
(NO SCALE)

**NOTES:**

- "TEST TEE" SHALL BE BE INSTALLED, ADJUSTED OR RECONSTRUCTED TO GRADE AT SUCH LOCATIONS SHOWN ON THE PLAN AND/OR AS DETERMINED BY THE ENGINEER IN THE FIELD.
- PAYMENT FOR TEST TEE, TEST TEE ADJUSTED TO GRADE, OR TEST TEE RECONSTRUCTED TO GRADE SHALL INCLUDE EXCAVATION, PIPE REMOVED, NEW RISER PIPE, PIPE SPECIALS, CONCRETE ENCASEMENT, STOPPERS, RESTORATION OF EXISTING PIPE DISTURBED OR DAMAGED AND NATURAL AGGREGATE BACKFILL AS REQUIRED TO COMPLETE THE WORK AS SHOWN HEREON OR AS OTHERWISE DIRECTED BY THE ENGINEER.
- TEST TEE RELOCATION WORK SHALL CONSIST OF "ITEM 202- ABANDON MISC.: TEST TEE" AND "ITEM 611-DRAINAGE STRUCTURE, MISC: TEST TEE, AS PER PLAN" AS DIRECTED BY THE ENGINEER IN THE FIELD. PAYMENT FOR TEST TEE ABANDONED TO INCLUDE EXCAVATION, PIPE REMOVAL, PLUGGING AND ENCASEMENT OF EXISTING TEE, AND BACKFILL AS REQUIRED TO COMPLETE THE WORK AS SHOWN HEREON OR AS OTHERWISE DIRECTED BY THE ENGINEER.

CUYAHOGA COUNTY ENGINEER

MISCELLANEOUS  
DRAINAGE DETAILS-  
TEST TEE & RISERS

DATE  
05-05-97  
12-07-99  
02-10-03  
05-31-10  
10-31-13  
11-15-17

CONSTRUCTION DRAWING MD-6C

