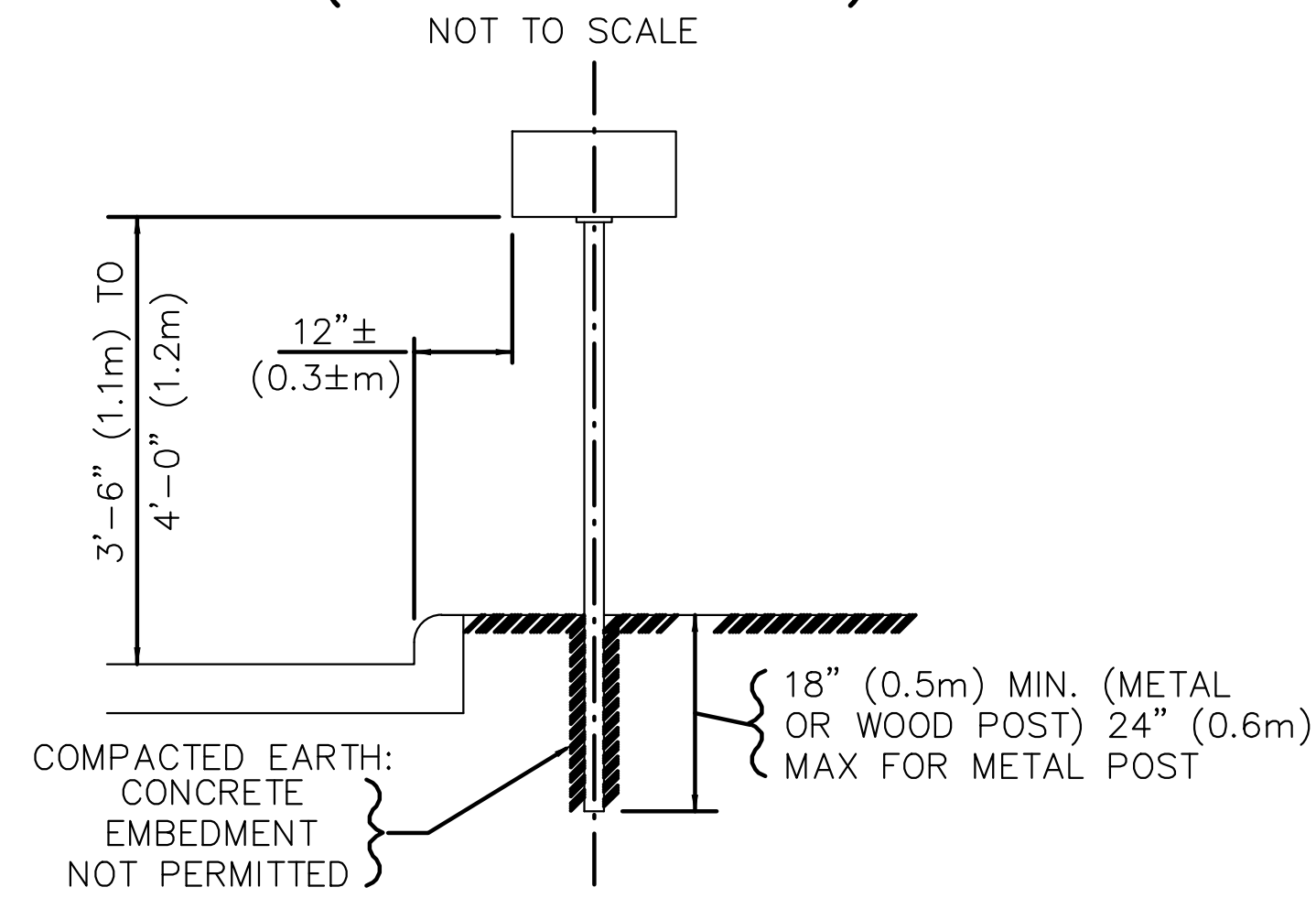
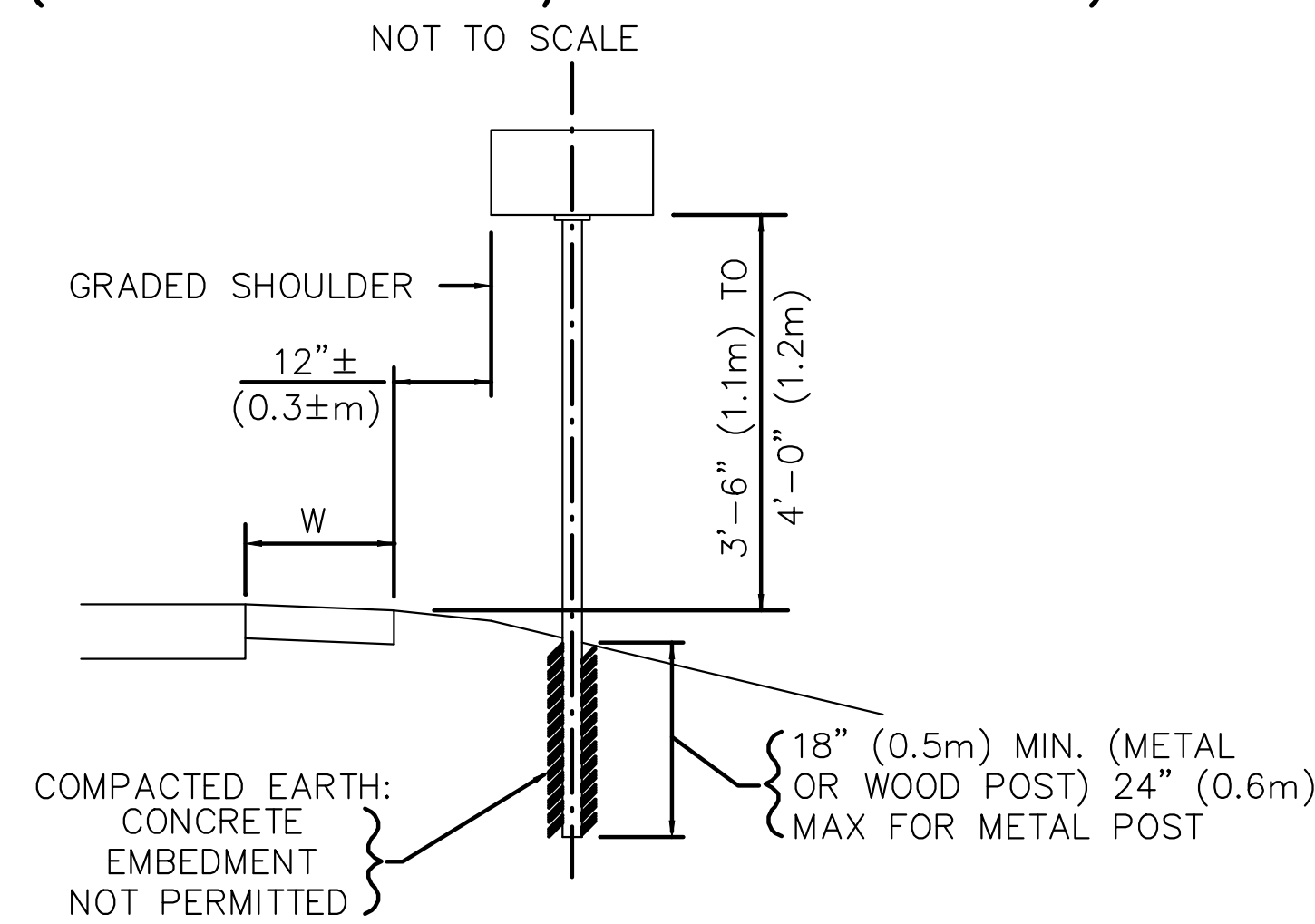


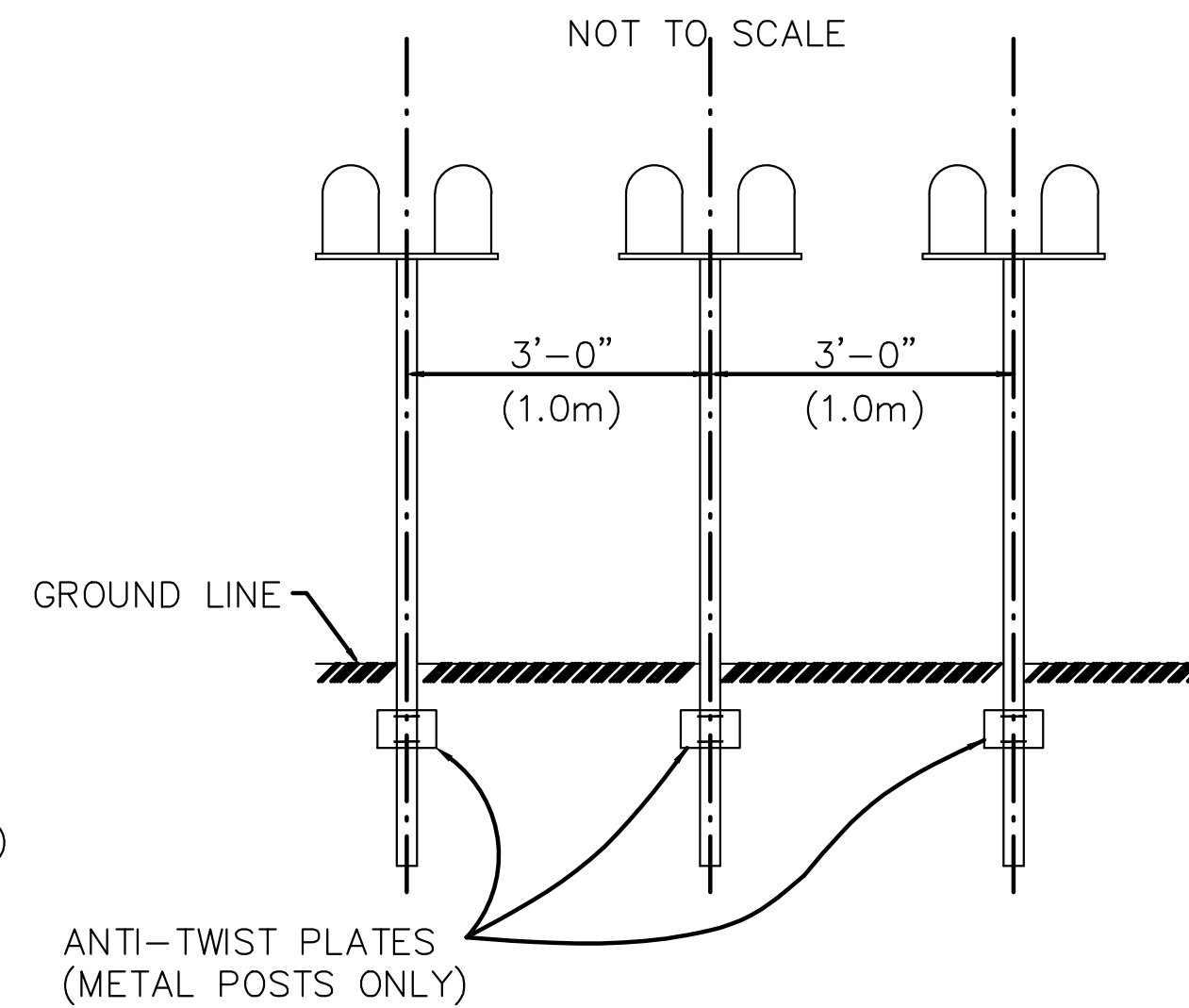
**MAILBOX INSTALLATION DETAILS
(CURBED PAVEMENT)**



**MAILBOX INSTALLATION DETAILS
(PAVED SHOULDERS/MAILBOX TURNOUTS)**



GROUP MAILBOX INSTALLATION



NOTES:

MAILBOX SUPPORTS

WOOD POSTS SHALL BE NOMINAL 4" x 4" SQUARE OR 4-1/2" DIAMETER ROUND, AND SHALL CONFORM TO 710.14. STEEL POSTS SHALL BE NOMINAL PIPE SIZE 2" I.D., AND SHALL CONFORM TO AASHTO M-181, AND SHALL BE FURNISHED WITH ANTI-TWIST PLATES. ANY MATERIAL WITH BREAKAWAY CROSS SECTION CHARACTERISTICS EQUIVALENT TO THE ABOVE MAY BE SUBSTITUTED WITH THE APPROVAL OF THE ENGINEER. HARDWARE (PLATES, SCREWS, BOLTS, ETC.) SHALL BE COMMERCIAL GRADE GALVANIZED STEEL.

POSTS SHALL BE SET IN ACCORDANCE WITH OHIO CONSTRUCTION AND MATERIAL SPECIFICATIONS 606.03, AND SHALL IN NO INSTANCE BE ENCASED IN CONCRETE. DEPTH OF EMBEDMENT SHALL BE 18" MINIMUM (24" MAXIMUM FOR STEEL POSTS).

SUPPORT HARDWARE SHALL ACCOMMODATE EITHER A SINGLE OR A DOUBLE MAILBOX INSTALLATION. IN NO CASE SHALL MORE THAN TWO BOXES BE MOUNTED ON A SINGLE POST. GROUP MAILBOX SUPPORTS SHOULD BE PLACED ON THREE (3) FOOT CENTERS.

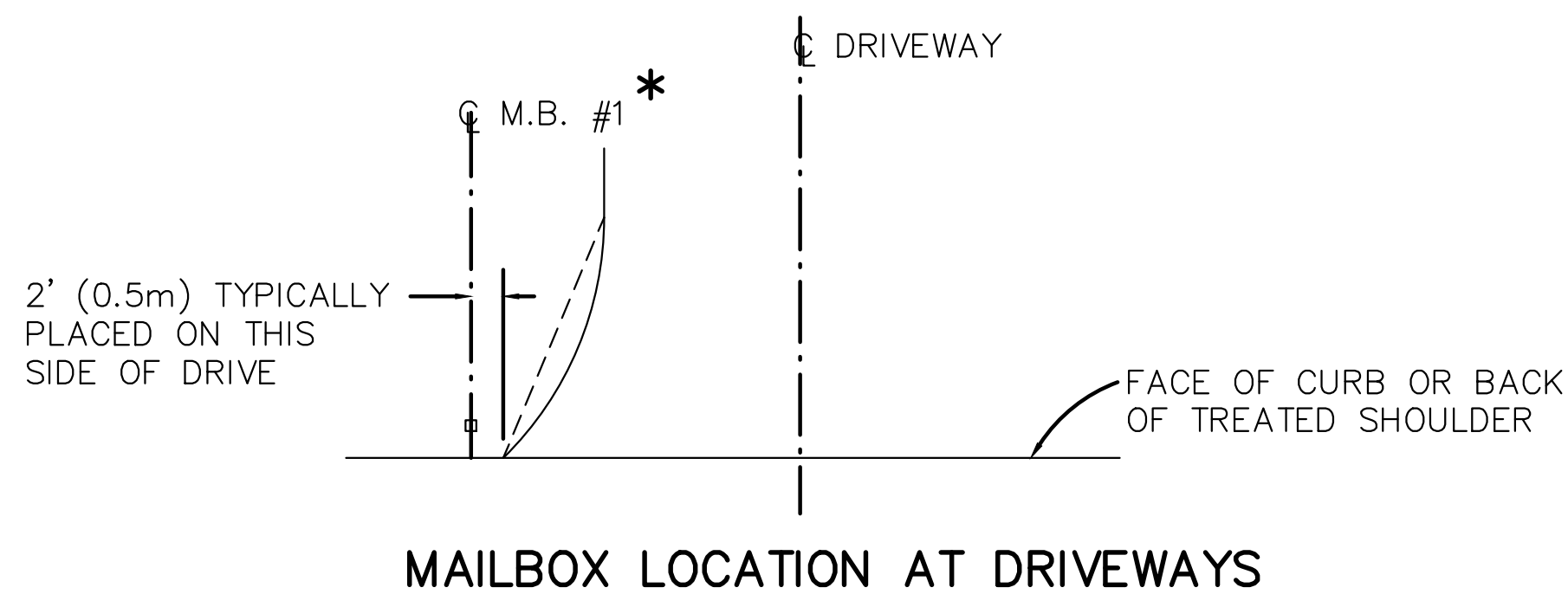
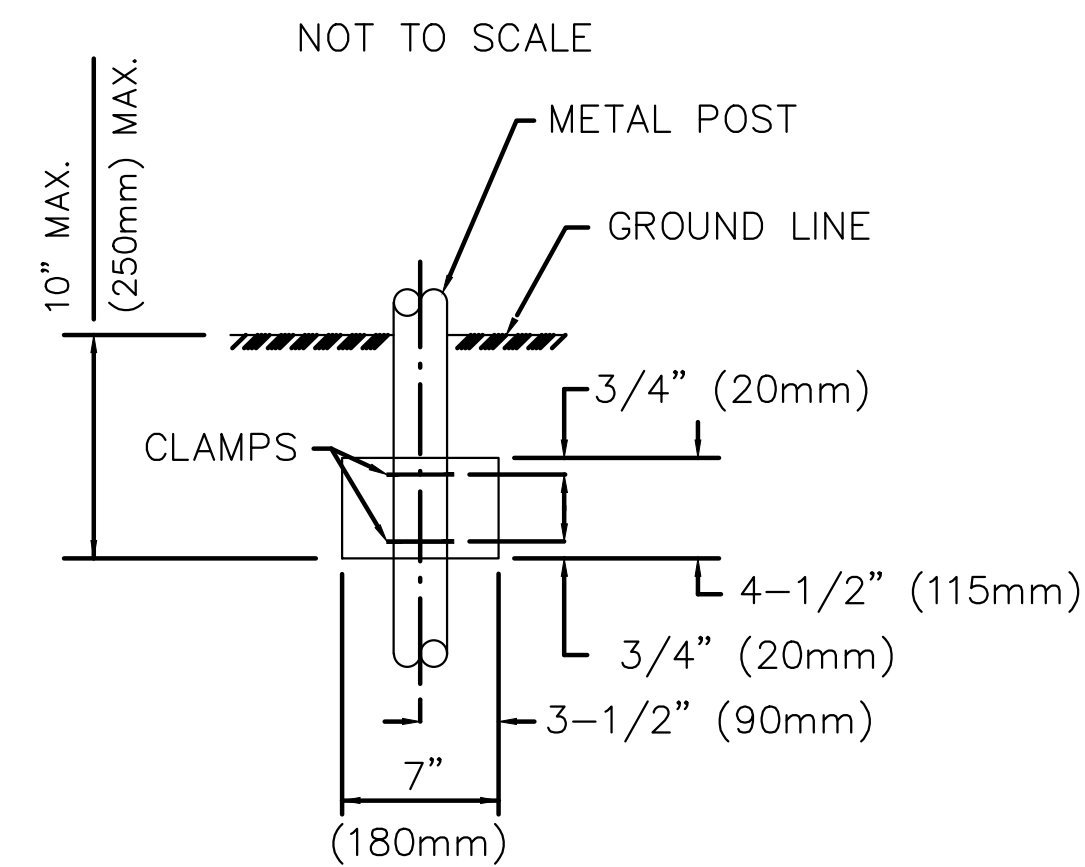
MAILBOXES

CONTRACTOR SUPPLIED MAILBOXES SHALL BE "STEP 2" OR OR EQUAL MEETING THE MINIMUM REQUIREMENTS OF THE LOCAL POSTMASTER.

W = WIDTH OF TREATED SHOULDER.

* M.B. #1 IS THE FIRST MAILBOX SUPPORT NEAREST TO DRIVE. ADD 3' (1.0m) FOR EACH ADDITIONAL SUPPORT.

ANTI-TWIST PLATE



CUYAHOGA COUNTY ENGINEER	
MAIL BOX FACILITIES	DATE 12-07-99 06-05-01 08-07-01 10-29-01 12-02-19
	CONSTRUCTION DRAWING MD-7C

