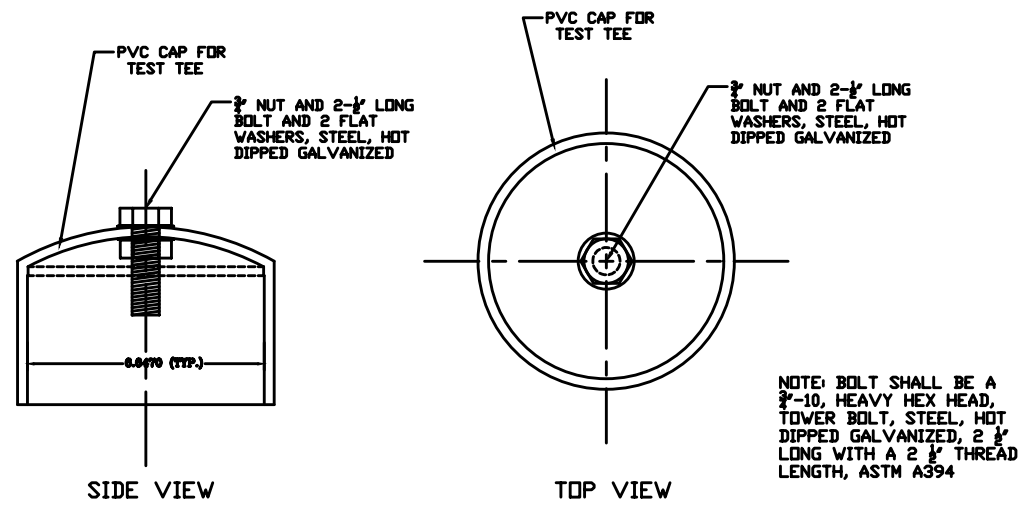


D.I. or C.I. Disc or Cap with a magnetic element imbedded see detail on this sheet.
 In pavement top of TEE shall be flush with finished grade.
 2' x 2' x 4" pad is required in pavement.



6" P.V.C. TEST TEE CAP DETAIL

NOTES:

The test tee riser section shall be installed when the connection is extended to the building.
 Risers shall be furnished with stoppers upon which shall be placed a cast or ductile iron disc.
 Cast or ductile iron disc shall be painted yellow on sanitary sewers.
 Concrete encasement for Test Tees is required if ground cover to "T" elevation is less than 3' - 0". If greater than 3' - 0" use coarse interlocking aggregates.

3000 # Concrete
 for rigid pipe, coarse interlocking aggregate for flexible pipe.

6" X 6" TEST TEE & 6" RISER FOR STORM
 -ND S-NIT-RY SEWERS.

TEST TEE

REVISIONS:	SCALE NO SCALE	DATE: OCTOBER 2021
------------	-------------------	--------------------