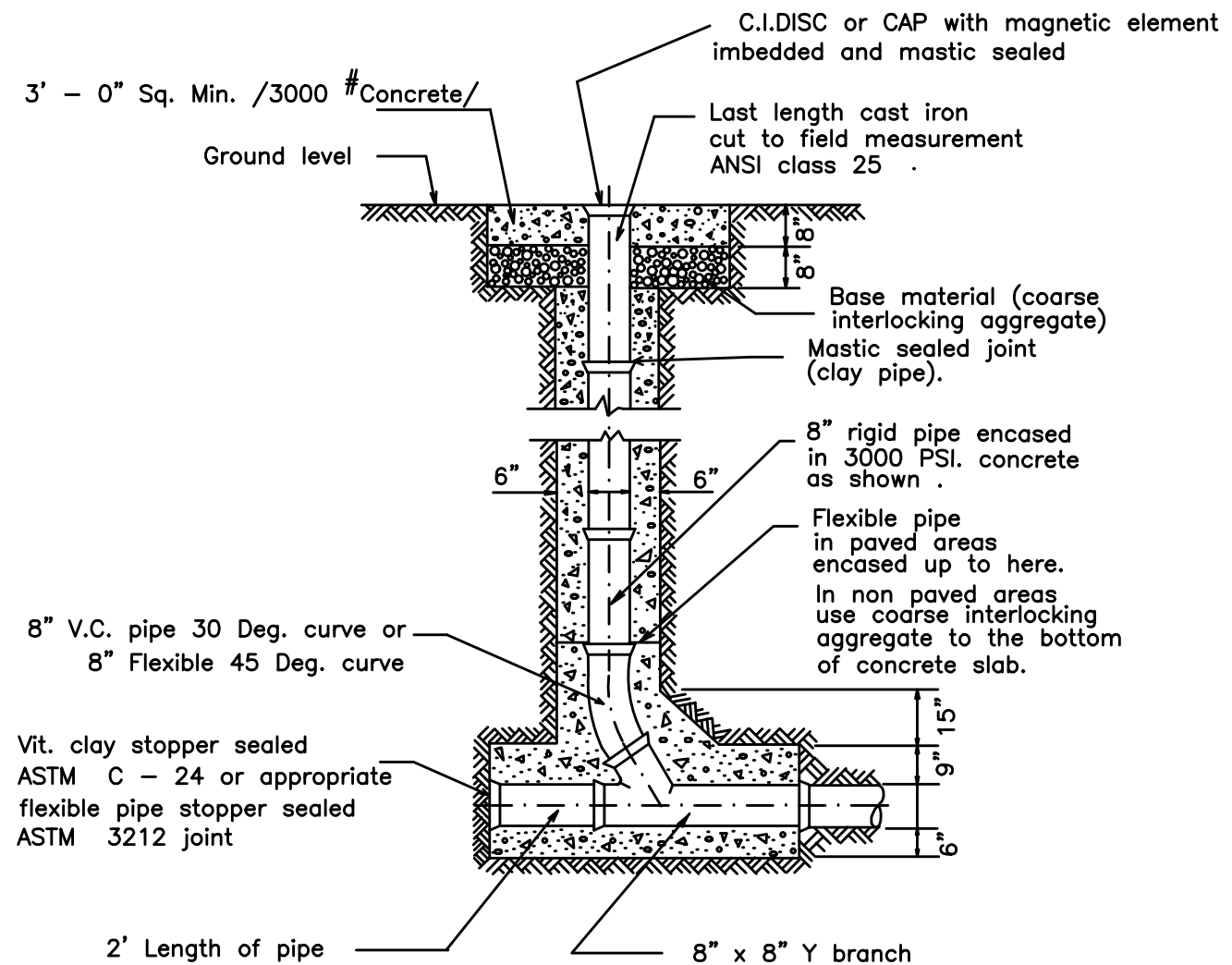


SPECIAL INLET

**NOTE:**

8" Clean out shall be used for  
8" sewer and larger  
Smaller size sewers and lamp  
holes shall have same size pipe.



CLEANOUT

REVISIONS:

SCALE  
NO SCALE

DATE: JANUARY 2020

SCALE  
NO SCALE

DATE: OCTOBER 2021