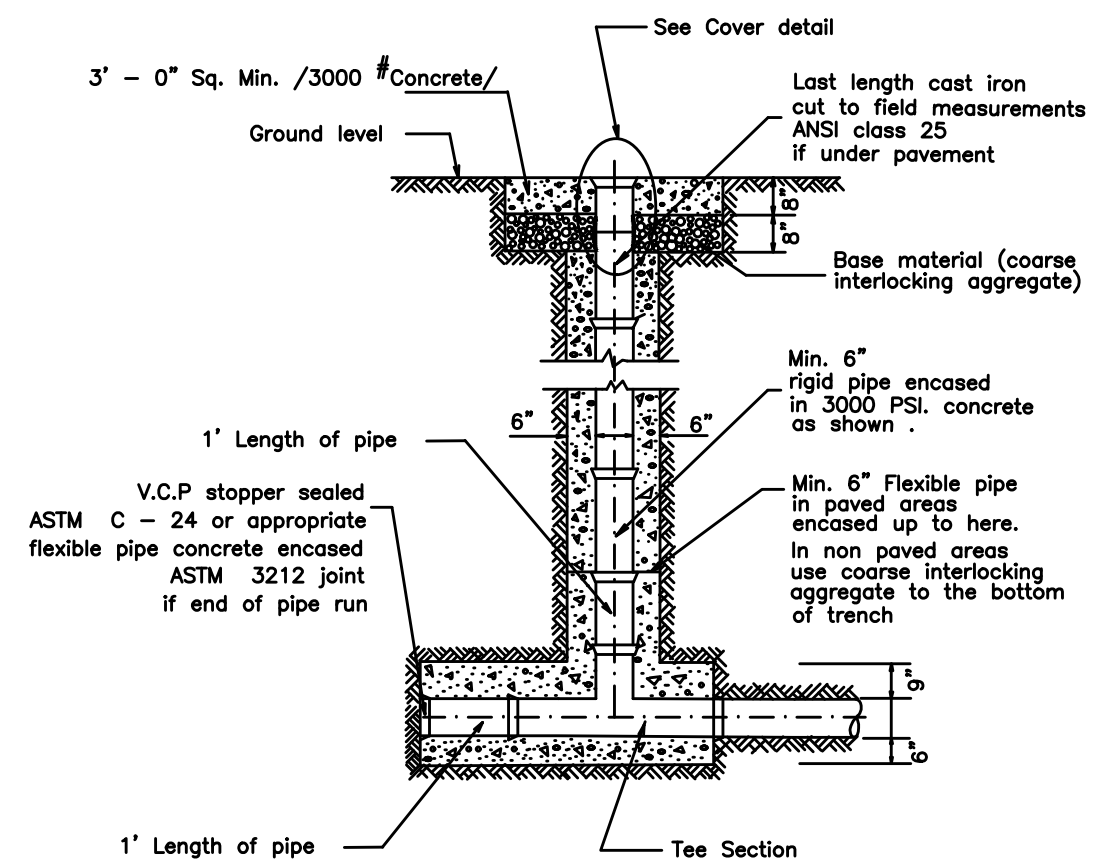


TEST TEE/CLEANOUT
COVER IN
PAVEMENT

NOTE:

1. 8" Flush Hole shall be used for 12" sewer and smaller.
2. Smaller size sewers and flush holes shall have same size pipe.
3. For Flush hole in non paved area, bring to grade with PVC cap.
4. Flush hole is to only be used if sewer can be extended in the future.



STRAIGHT
FLUSH HOLE

REVISIONS:

SCALE
NO SCALE

DATE: JANUARY 2020

SCALE
NO SCALE

DATE: OCTOBER 2021