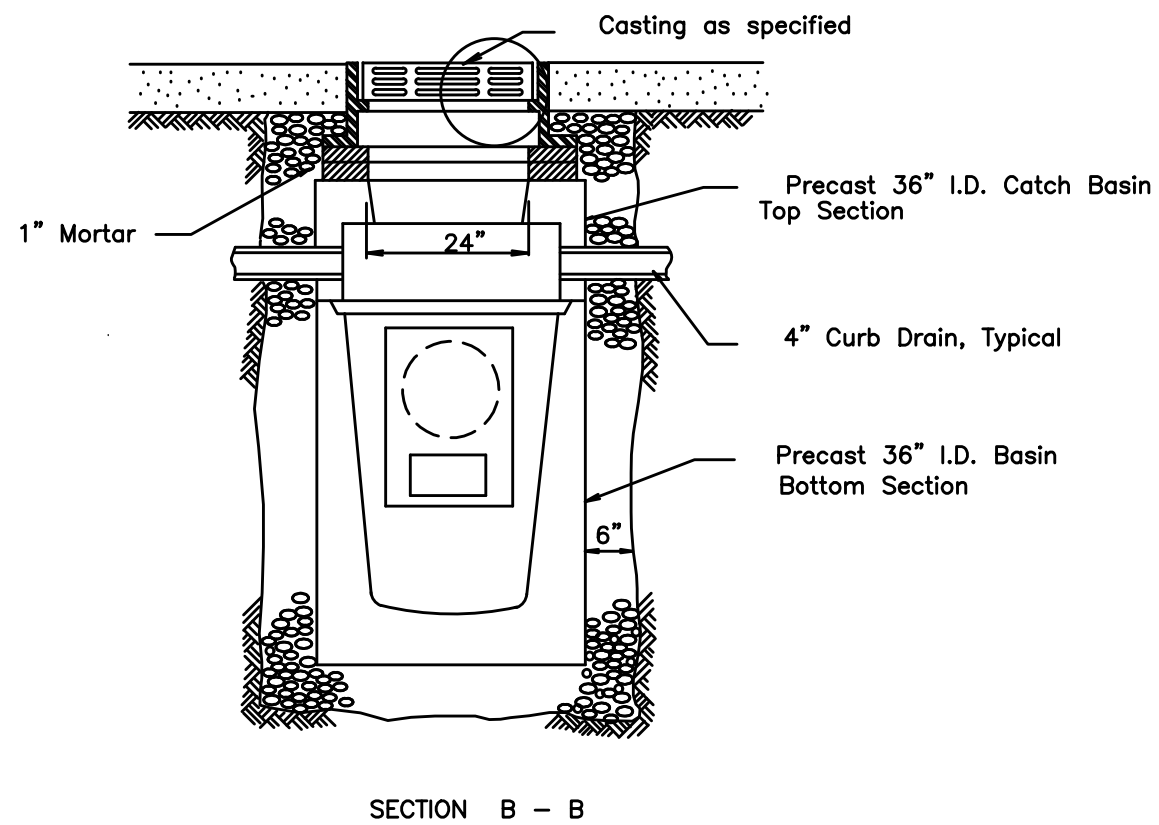
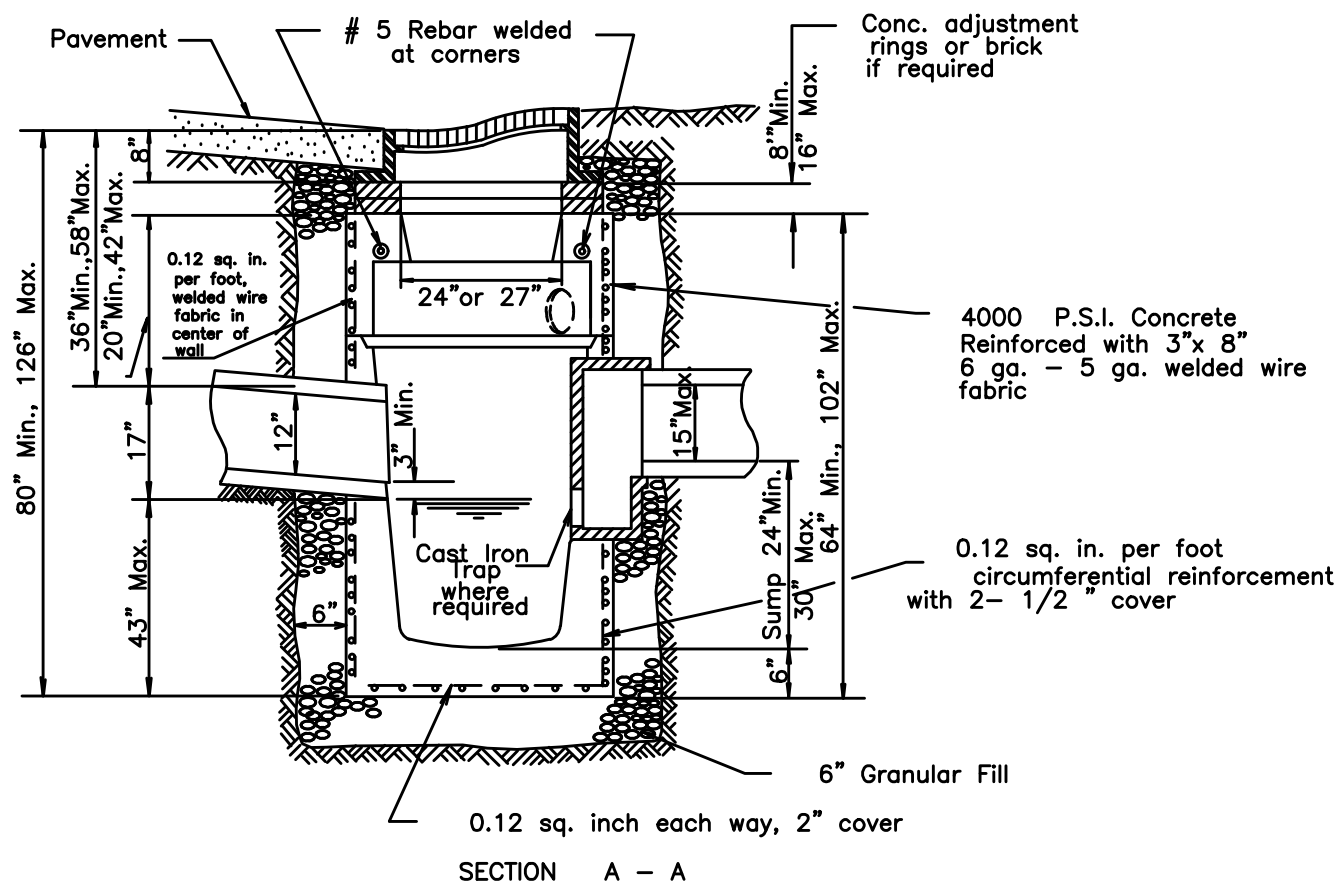
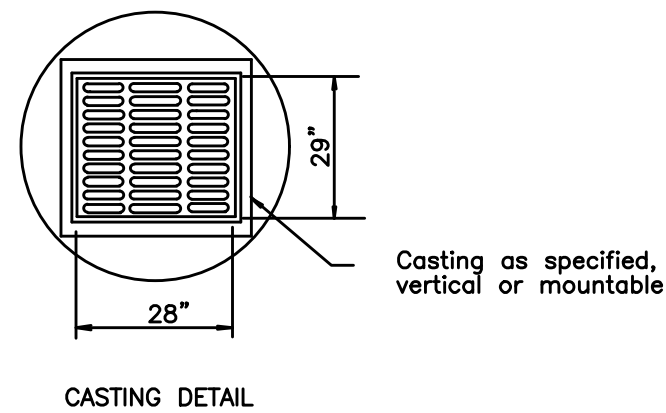


**NOTE:**

All reinforcing shall be # 4 deformed bars  
 Concrete shall be ODOT class "C" #4000 PSI  
 in 28 days.

OPENINGS IN RISER SECTIONS for ALL pipes (Sanitary,  
 Combined & Storm) shall be prefabricated. Flexible  
 connections shall be provided for sanitary, storm and  
 combined sewers. Premium seals shall meet A.S.T.M  
 C-923.



ROUND PRECAST  
 CONCRETE CATCH BASIN

REVISIONS:

SCALE  
 NO SCALE

DATE: OCTOBER 2021