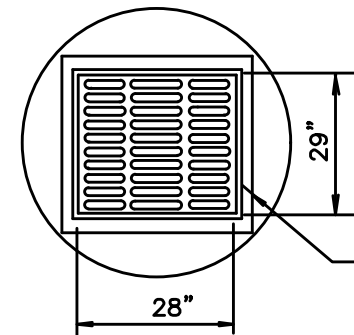


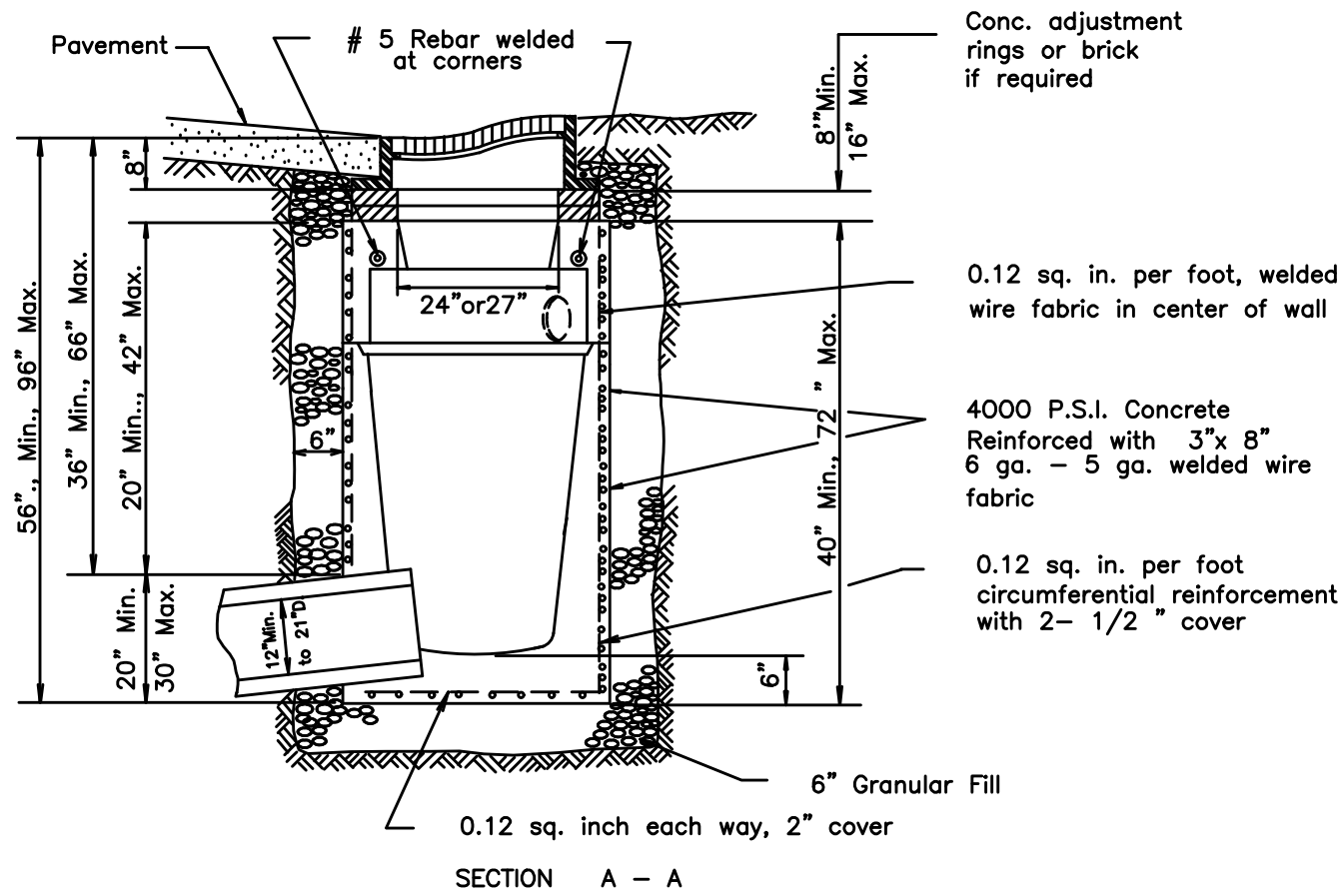
NOTE:

All reinforcing shall be # 4 deformed bars
 Concrete shall be ODOT class "C" #4000 PSI
 in 28 days.

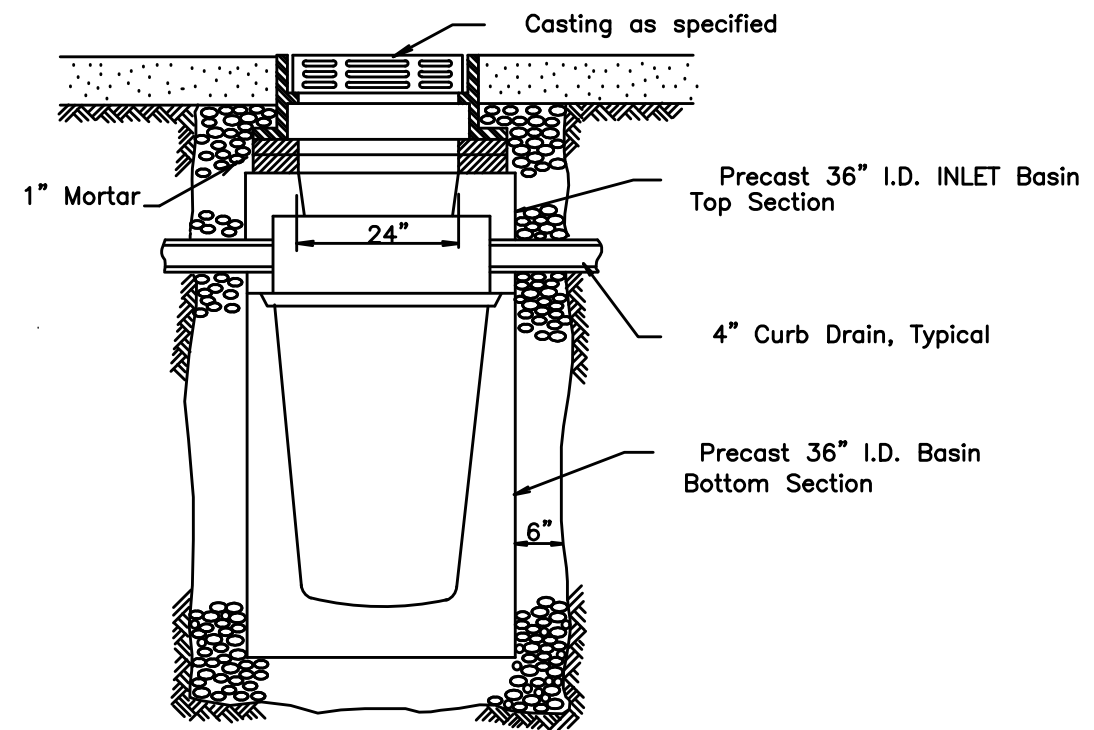
OPENINGS IN RISER SECTIONS for ALL pipes (Sanitary,
 Combined & Storm) shall be prefabricated. Flexible
 connections shall be provided for sanitary, storm and
 combined sewers. Premium seals shall meet A.S.T.M
 C-923.



CASTING DETAIL



SECTION A - A



SECTION B - B

ROUND PRECAST
 CONCRETE INLET BASIN

REVISIONS:

SCALE
 NO SCALE

DATE: OCTOBER 2021