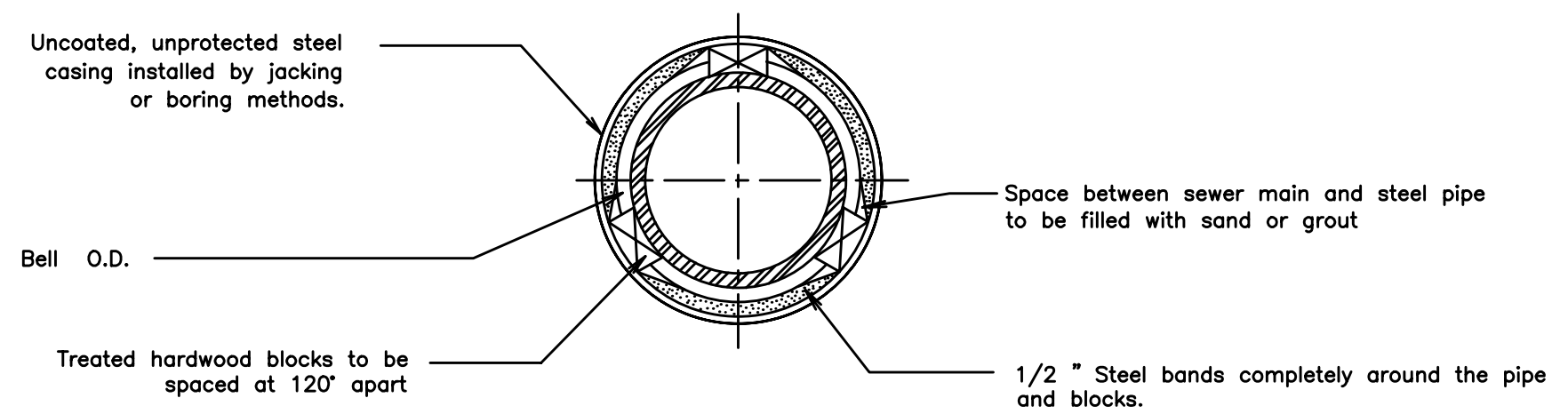


NOTE:
 Casing pipe to have I.D. Minimum of 2" larger than bell O.D. of carrier pipe. Casing pipe to have a Minimum wall thickness of 0.250.

BLOCKS:
 3 sets of treated hardwood blocks per 18' length of pipe.
 4 sets of treated hardwood blocks per 20' length of pipe.
 Two blocks spaced 30" from joints. -dditional blocks evenly spaced.



SECTION A - A

BORING DETAILS
 FOR PAVED AREAS

REVISIONS:

SCALE
 NO SCALE

DATE: OCTOBER 2021