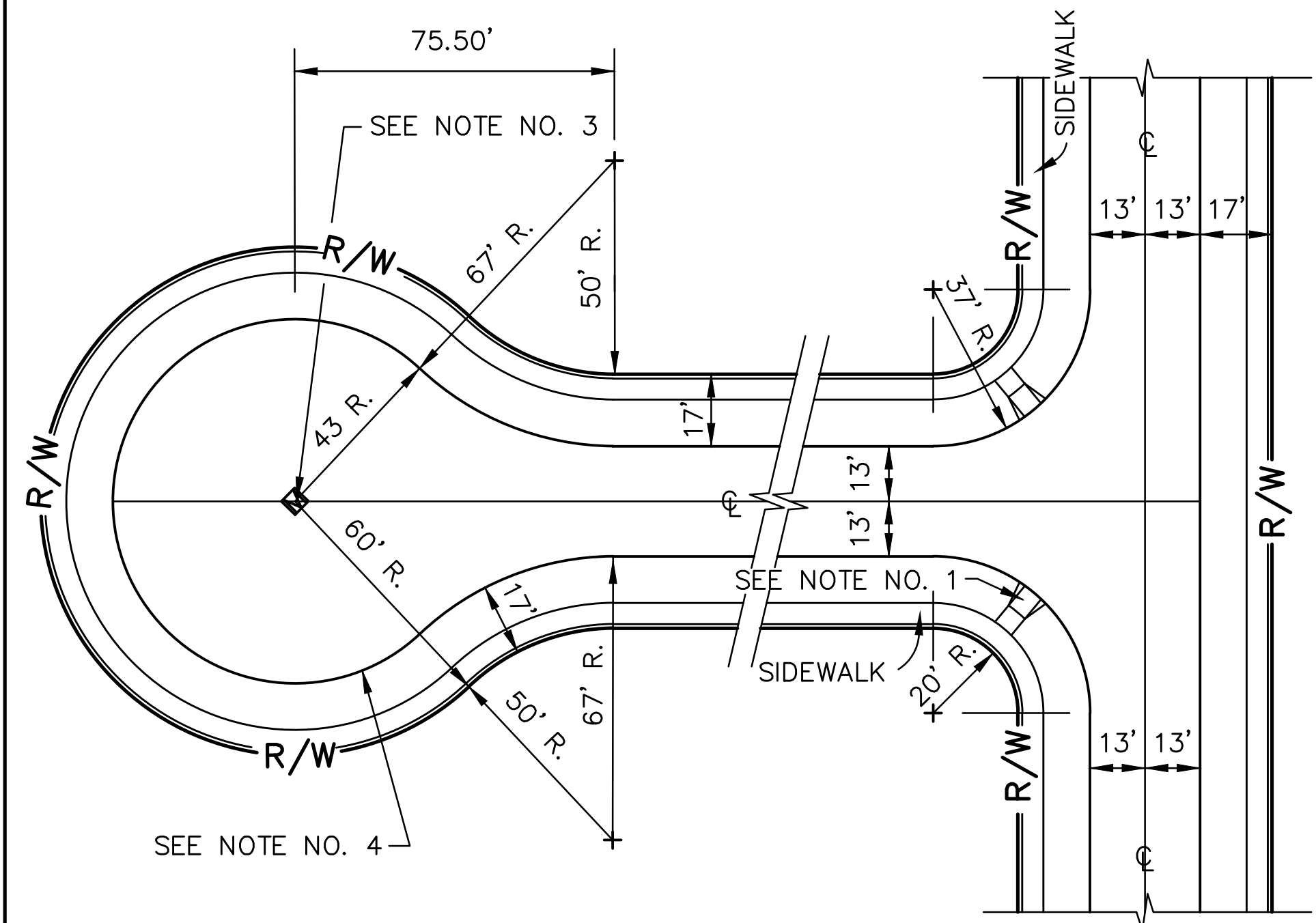
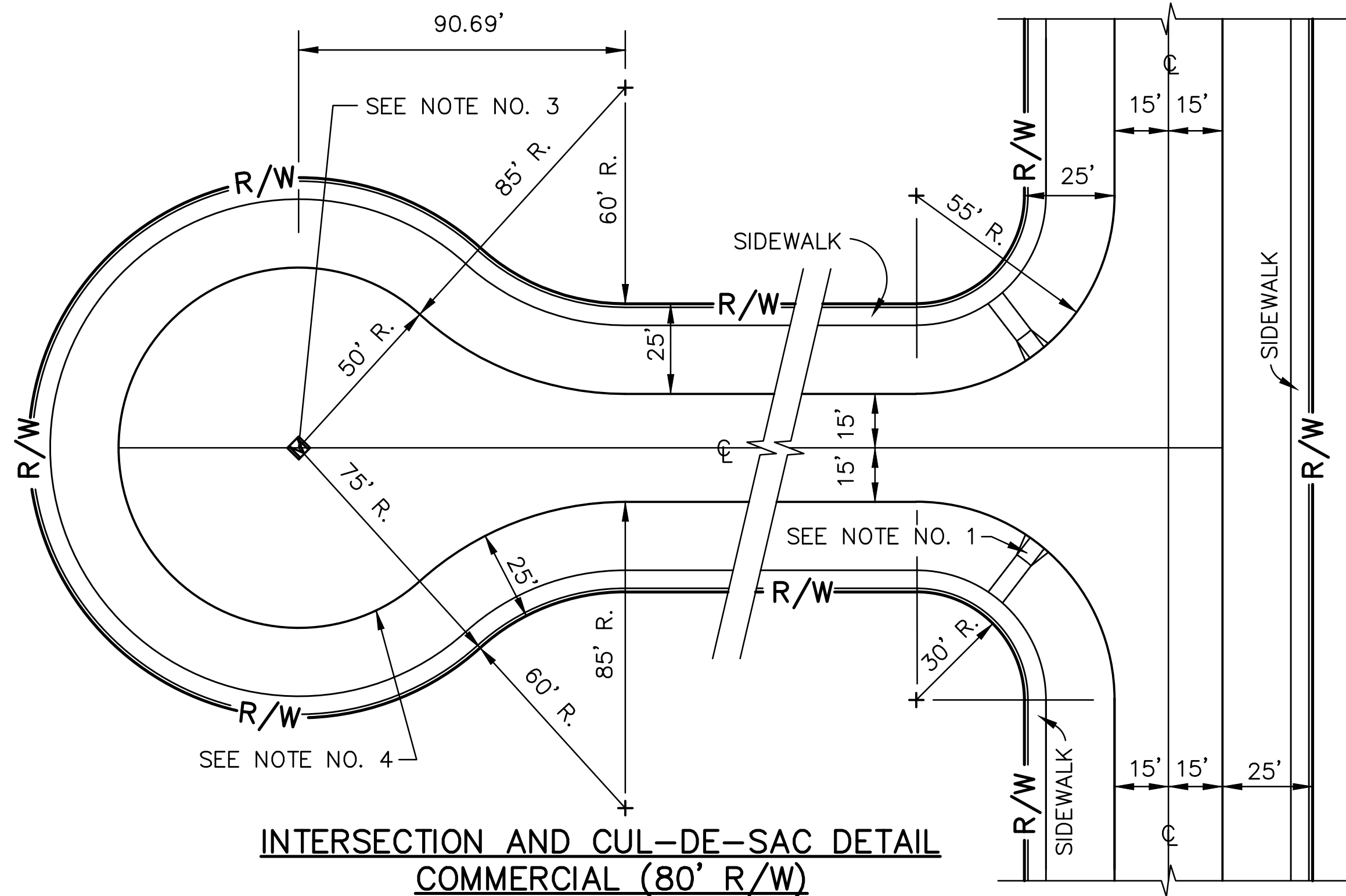


PAVEMENT DETAILS

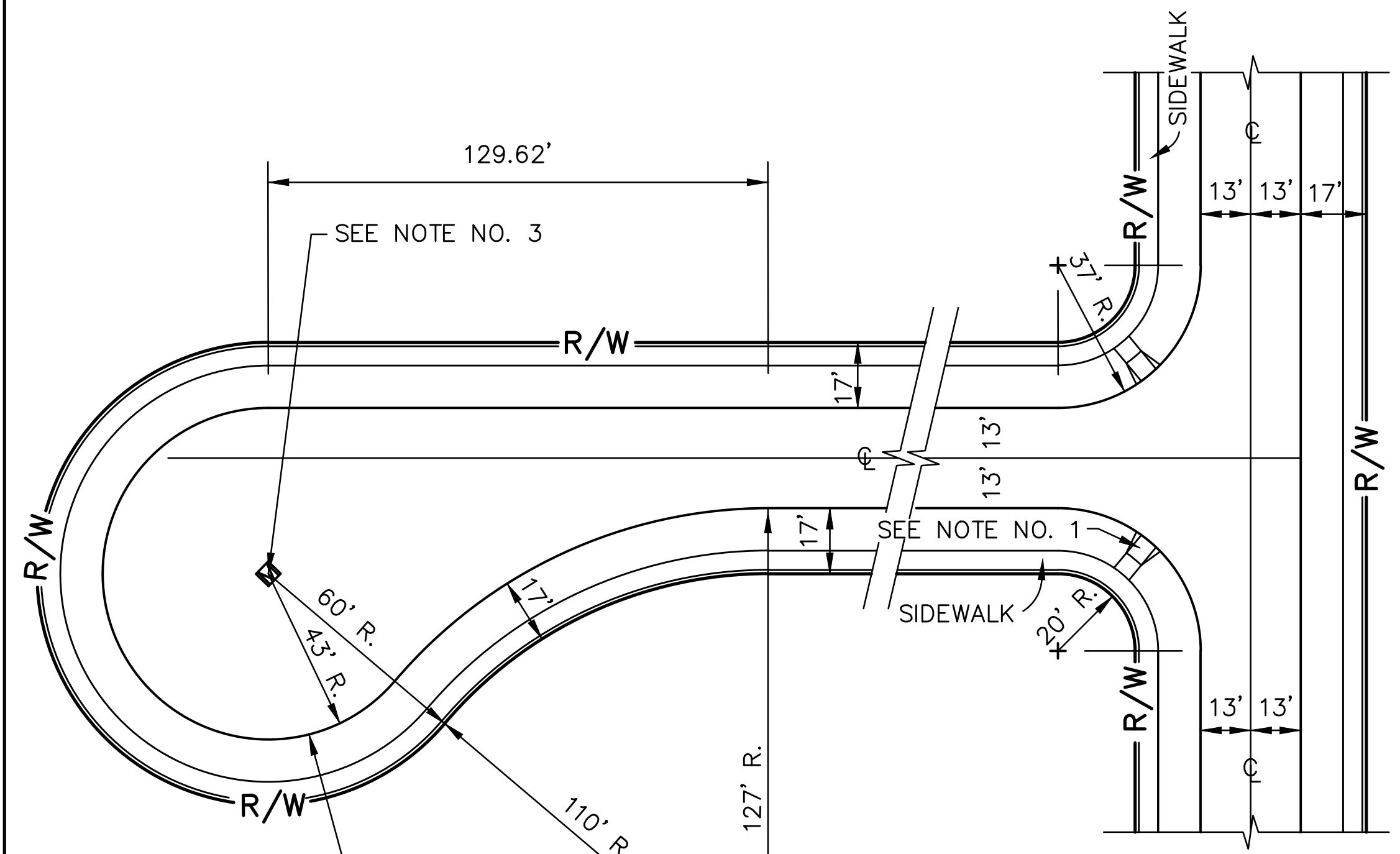


**INTERSECTION AND CUL-DE-SAC DETAIL
LOCAL RESIDENTIAL (60' R/W)**

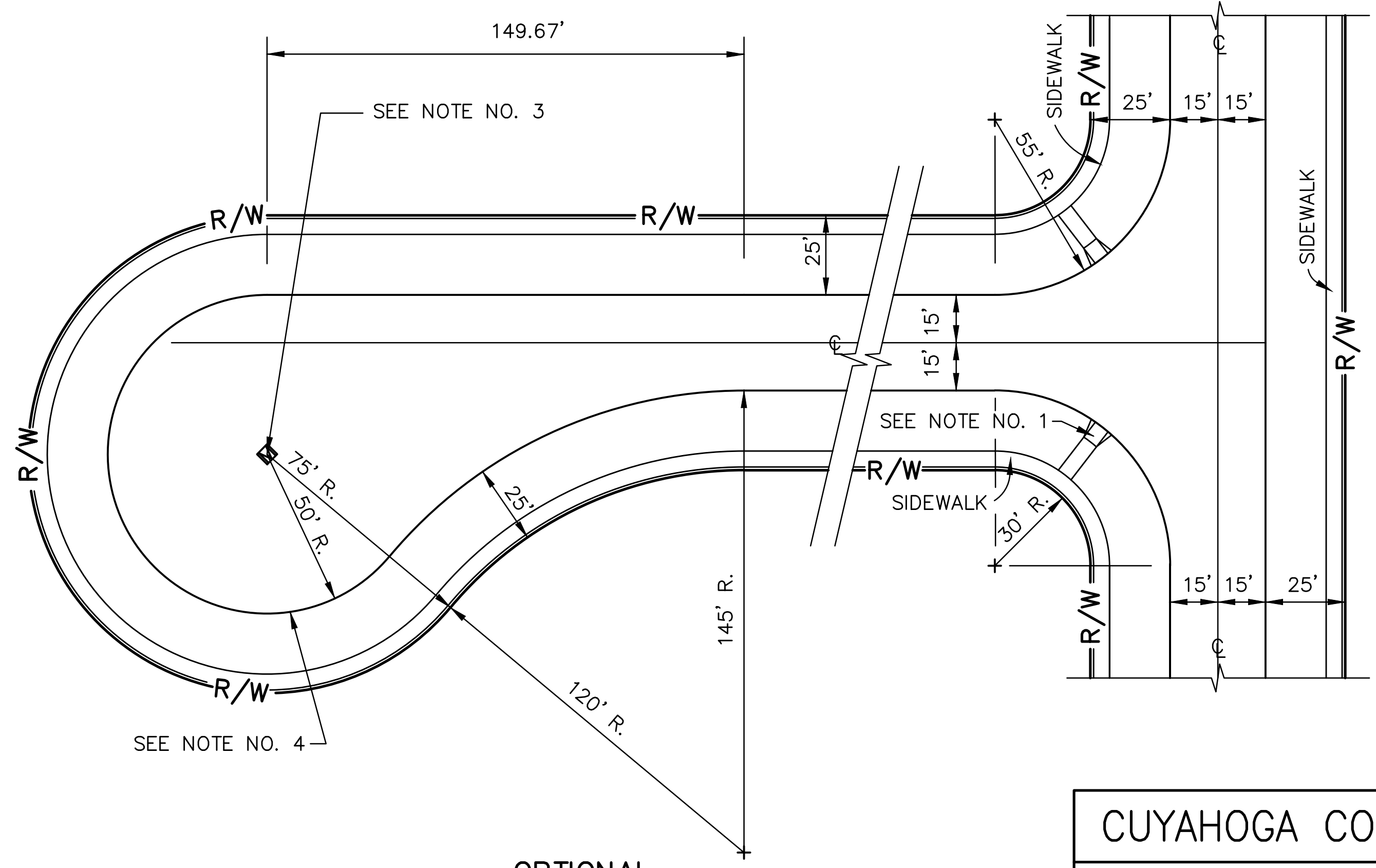


**INTERSECTION AND CUL-DE-SAC DETAIL
COMMERCIAL (80' R/W)**

- PAVEMENT NOTES**
1. SIDEWALKS ARE TO BE EXTENDED AT INTERSECTIONS WITH PERPENDICULAR CURB RAMPS WITH 3:1 "FLARED SIDES" PER THE "ITEM 608-CURB RAMP, TYPE A1, AS PER PLAN" NOTE ON SHEET NO. 4 OF 4.
 2. BICYCLE/PEDESTRIAN SAFE CATCH BASIN GRATES SHALL BE PROVIDED.
 3. SEE "MONUMENT ASSEMBLIES" PLAN NOTE ON SHEET NO. 4 OF 4.
 4. PAVEMENT SHOWN/DIMENSIONED TO BACK OF CURB.



**OPTIONAL
INTERSECTION AND CUL-DE-SAC DETAIL
LOCAL RESIDENTIAL (60' R/W)**



**OPTIONAL
INTERSECTION AND CUL-DE-SAC DETAIL
COMMERCIAL (80' R/W)**

CUYAHOGA COUNTY ENGINEER	
MINIMUM CONSTRUCTION STANDARDS FOR TOWNSHIP SUBDIVISION STREETS (LOCAL) TYPE FLEXIBLE PAVEMENT	DATE 08-28-07 10-10-08 08-01-09 07-19-10 06-16-11 11-15-13
STANDARD CONSTRUCTION DRAWING	DWG. NO. 2 OF 4

